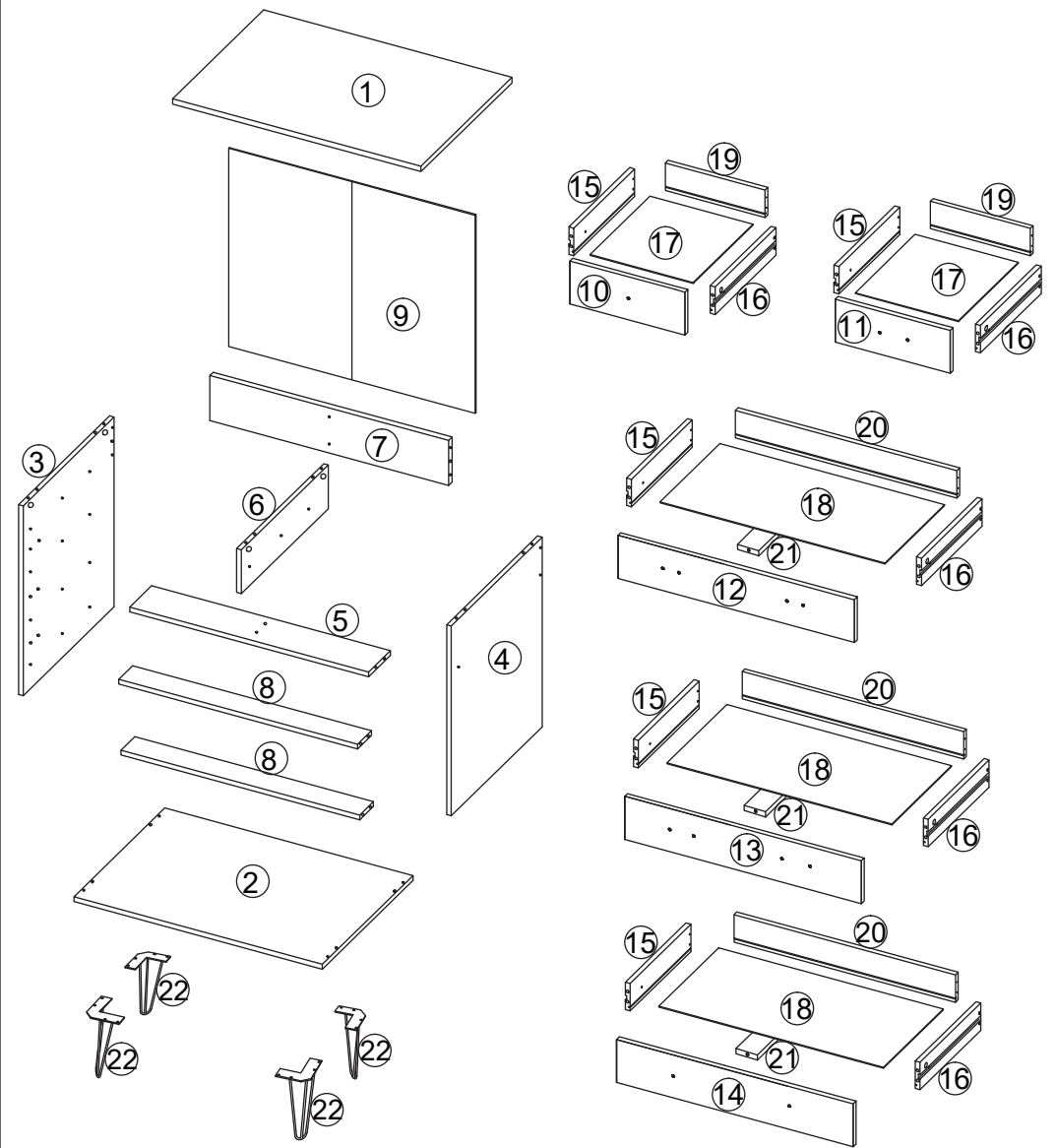
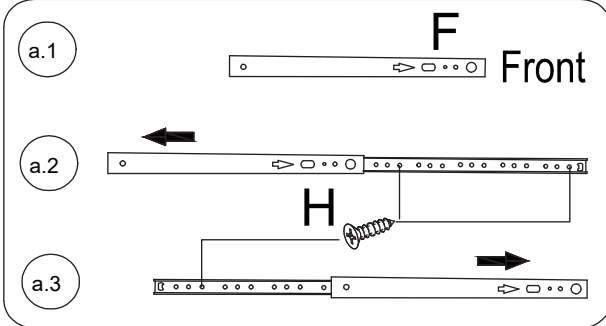
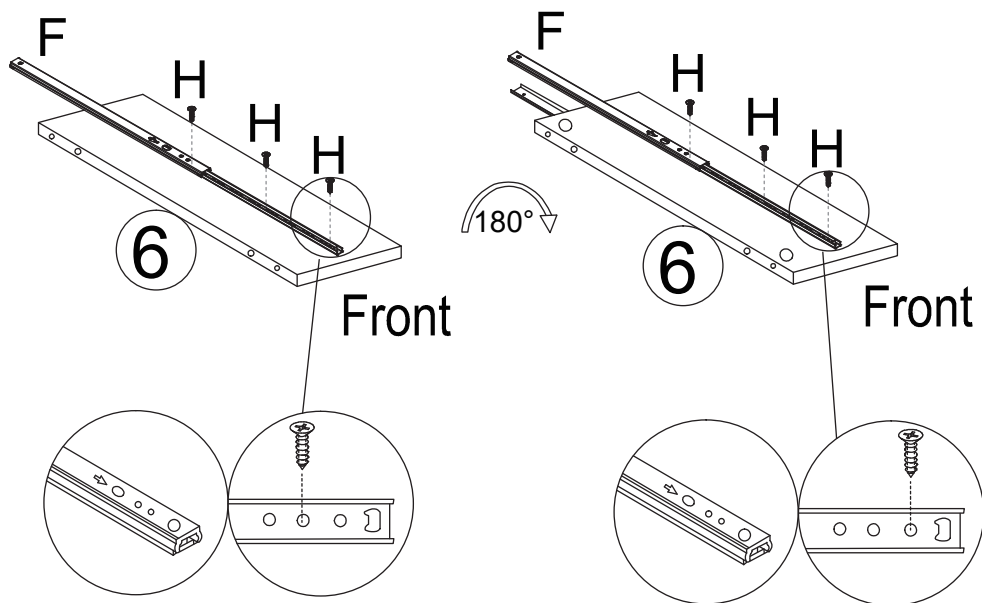




A	x19	B	x6	C	x33	D	x38	E	x15	F	x10
G	x20	H	x30	I	x2	J	x10	K	x3	L	x9
M	x13	N	x16	O	x2	P	x2	Q	x3	R	x2

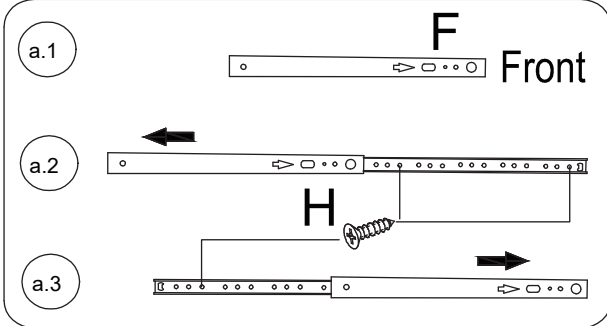
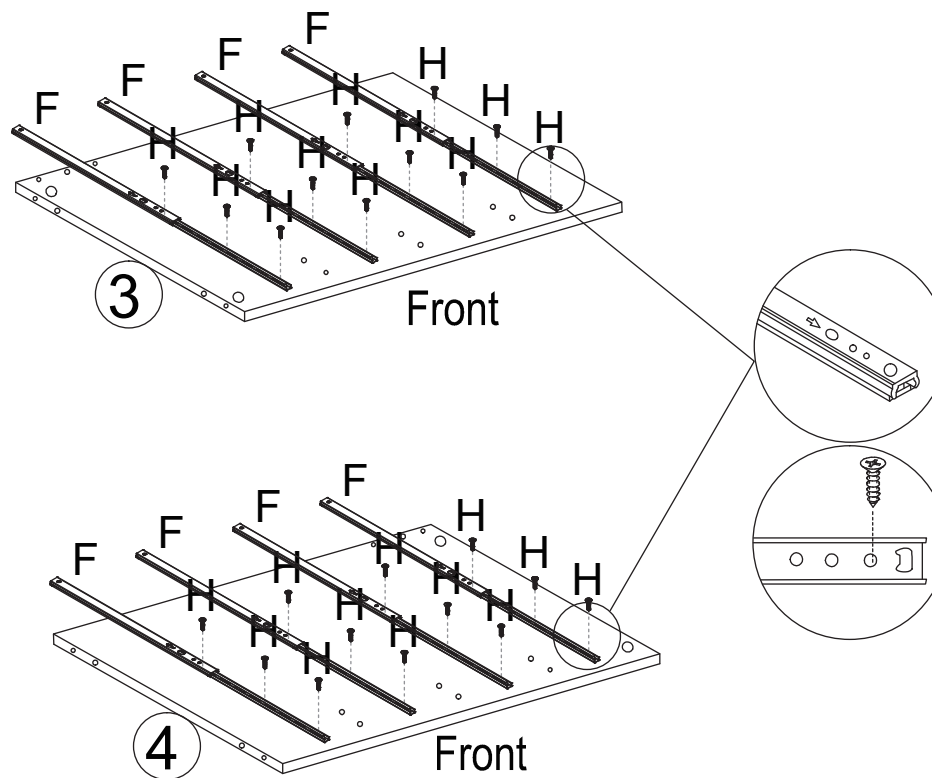




1



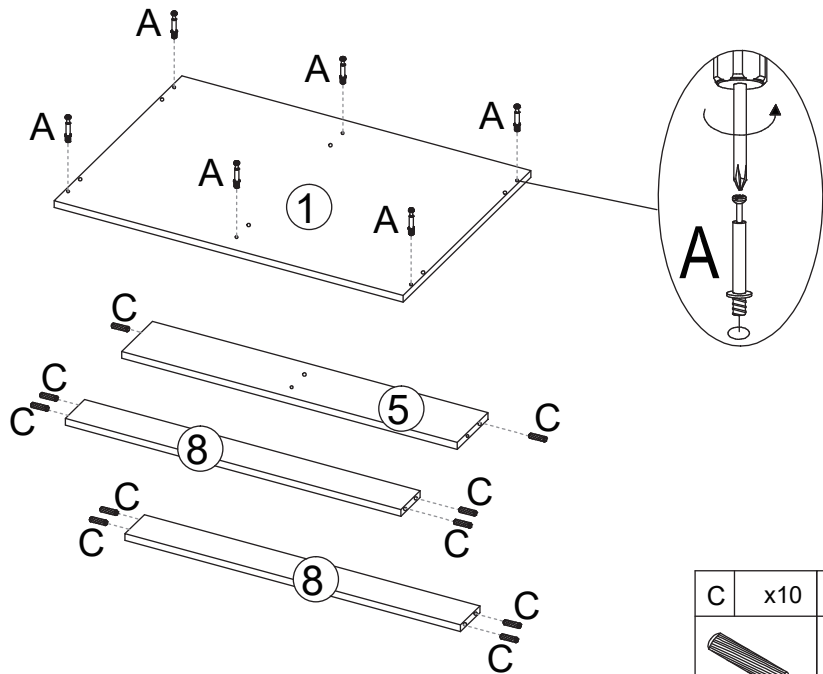
F	x2	H	x6
			
3x12mm			

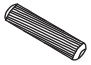

2



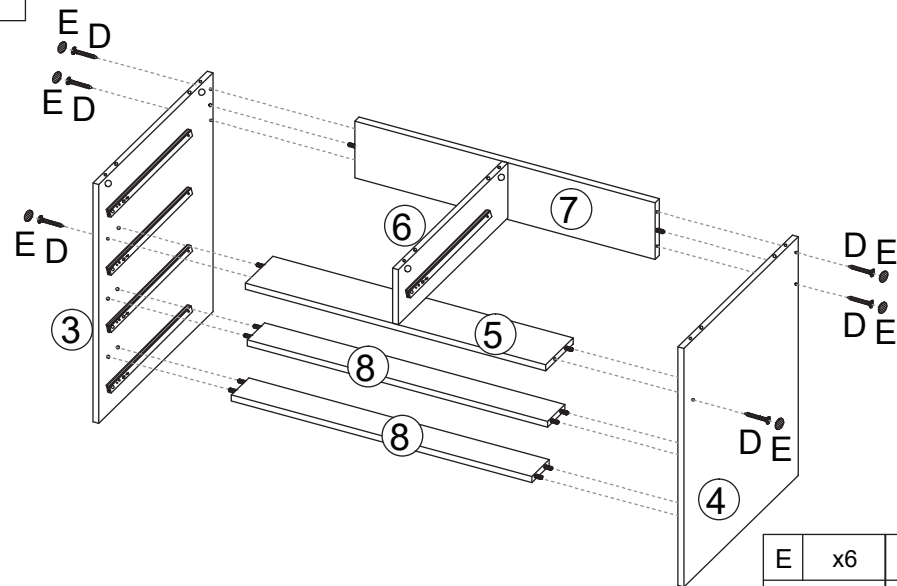
F	x8	H	x24
			
3x12mm			



3



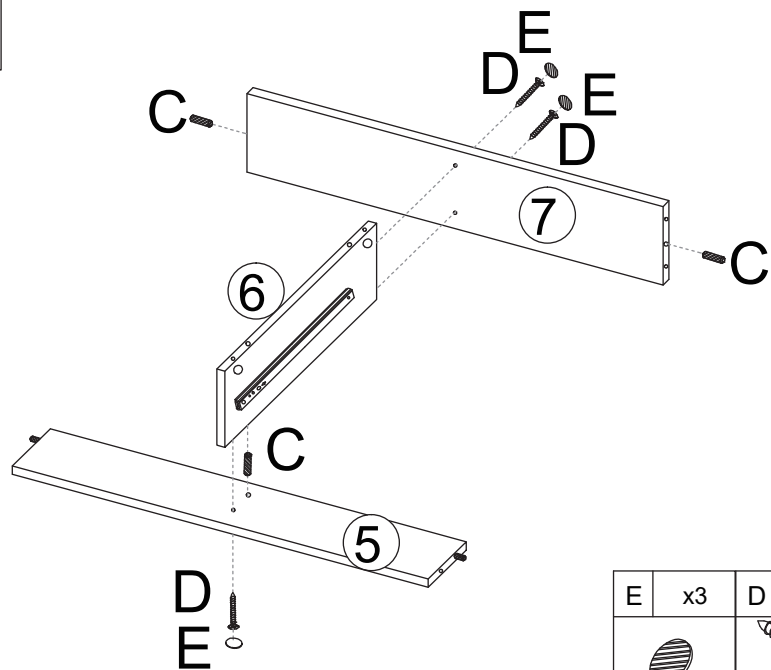
C	x10	A	x6
			


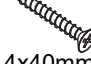

5



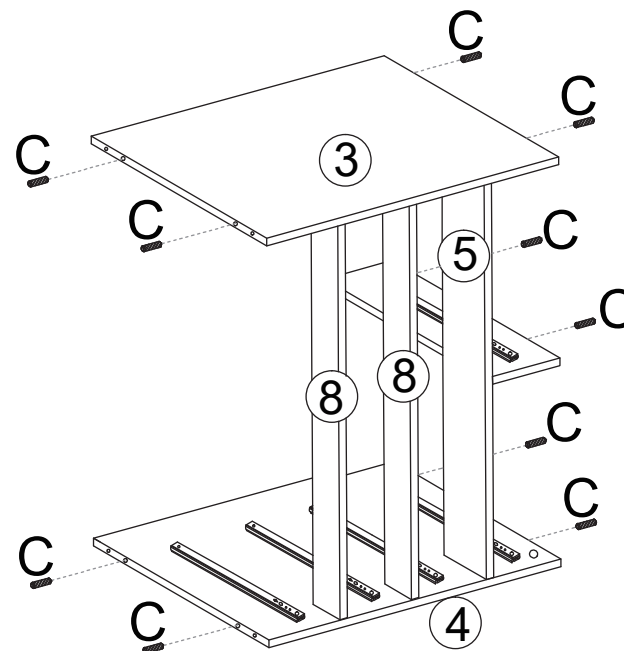
E	x6	D	x6
			
4x40mm			


4



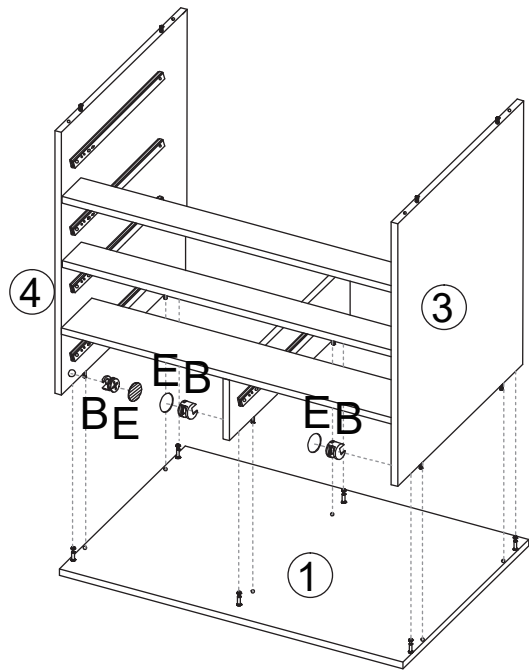
E	x3	D	x3	C	x3
					
4x40mm					



6



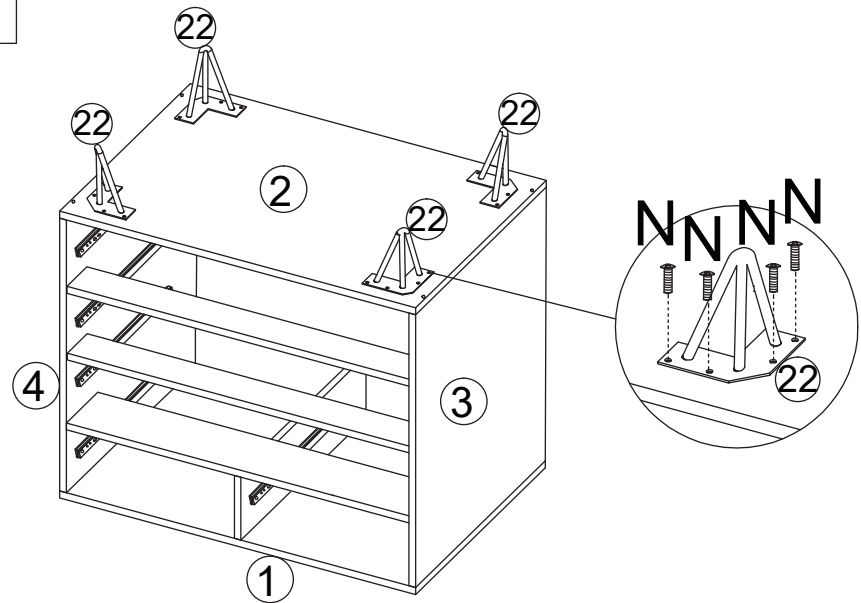
C	x10
	

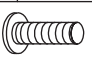
7



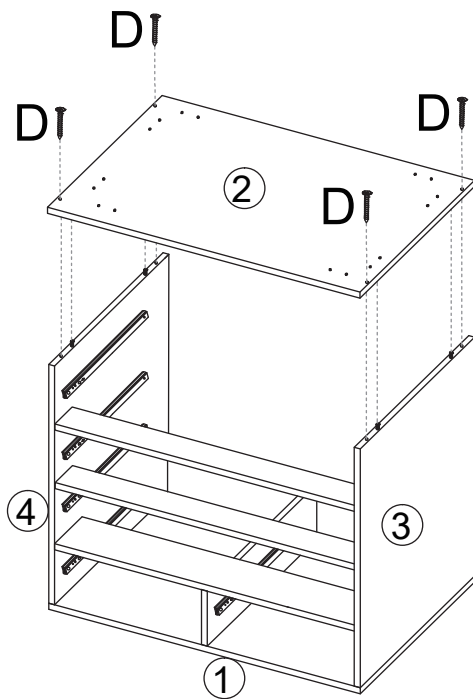
B	x6	E	x6
			

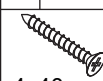
9



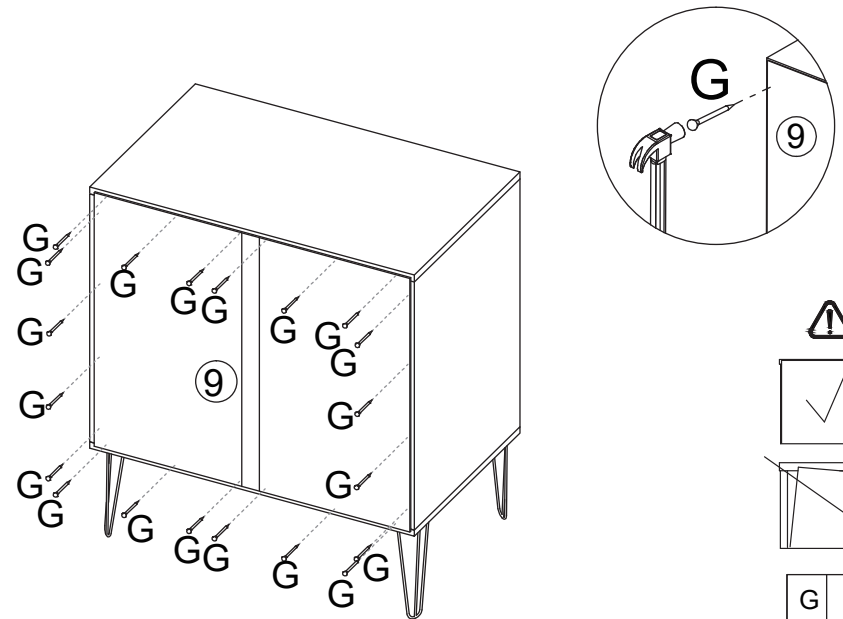
N	x16
	
6x12mm	


8




D	x4
	
4x40mm	

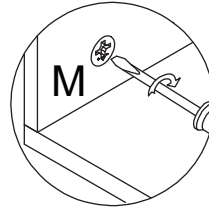
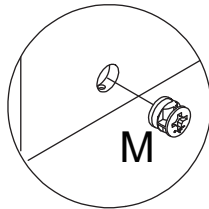
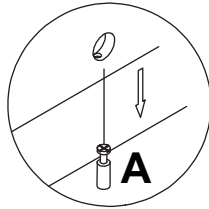
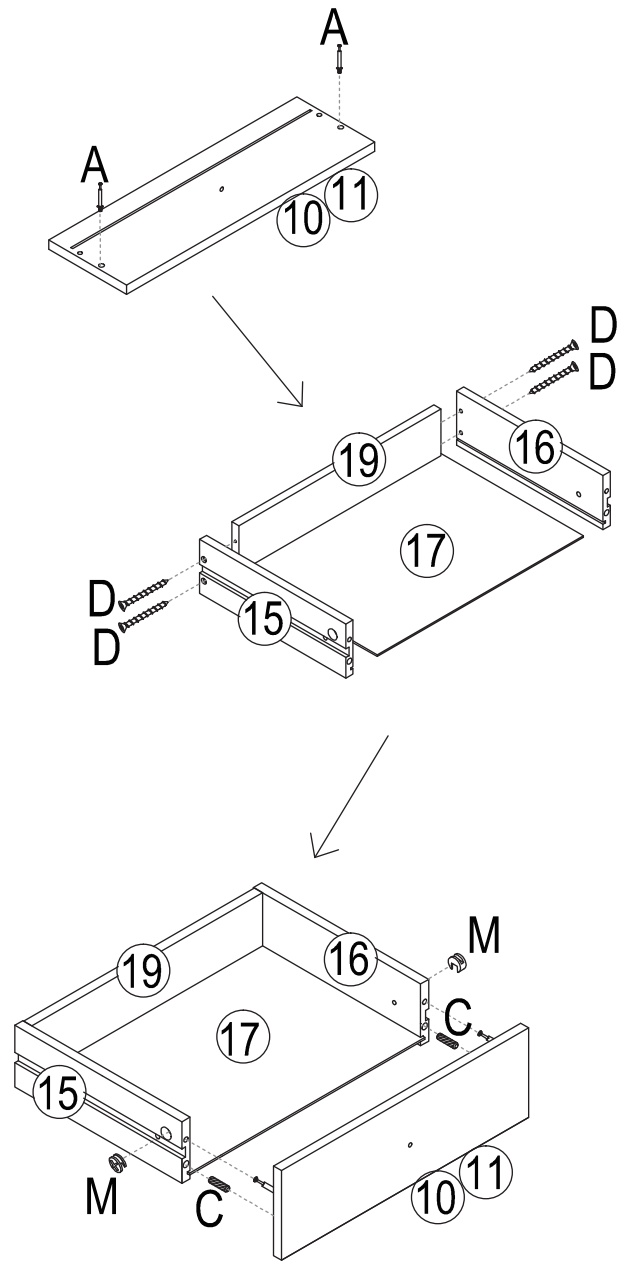
10





G	x20
	

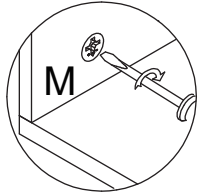
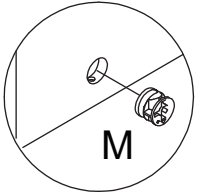
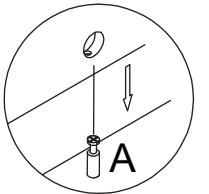
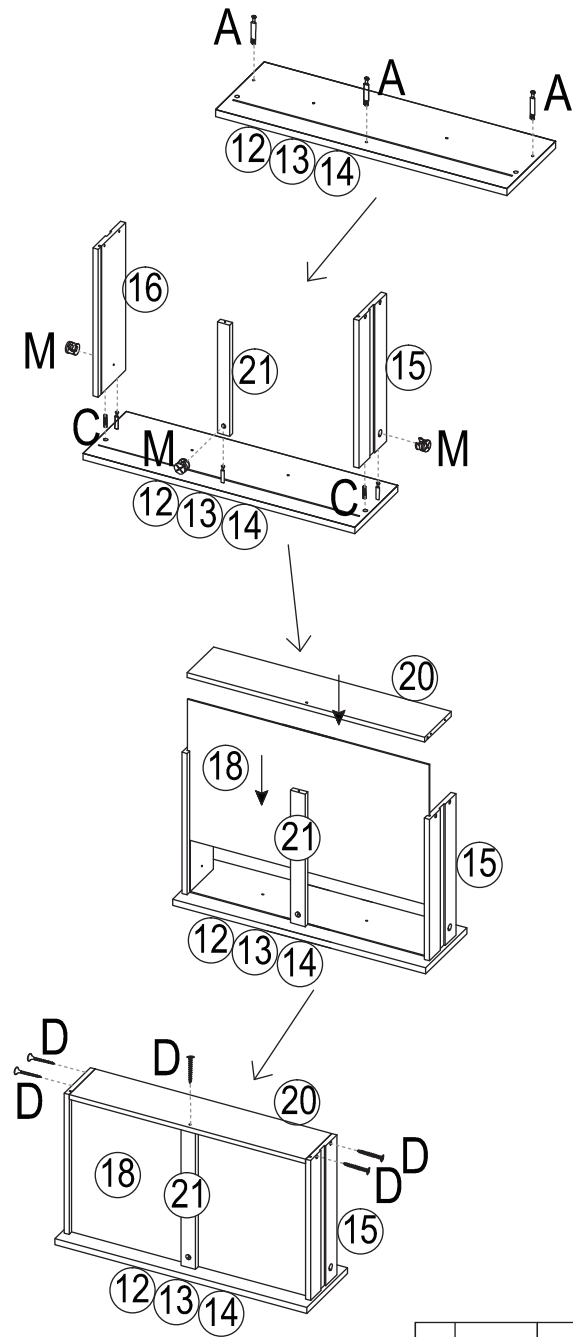
# 11



# x2

A	x4	M	x4	C	x4	D	x8
							4x40mm

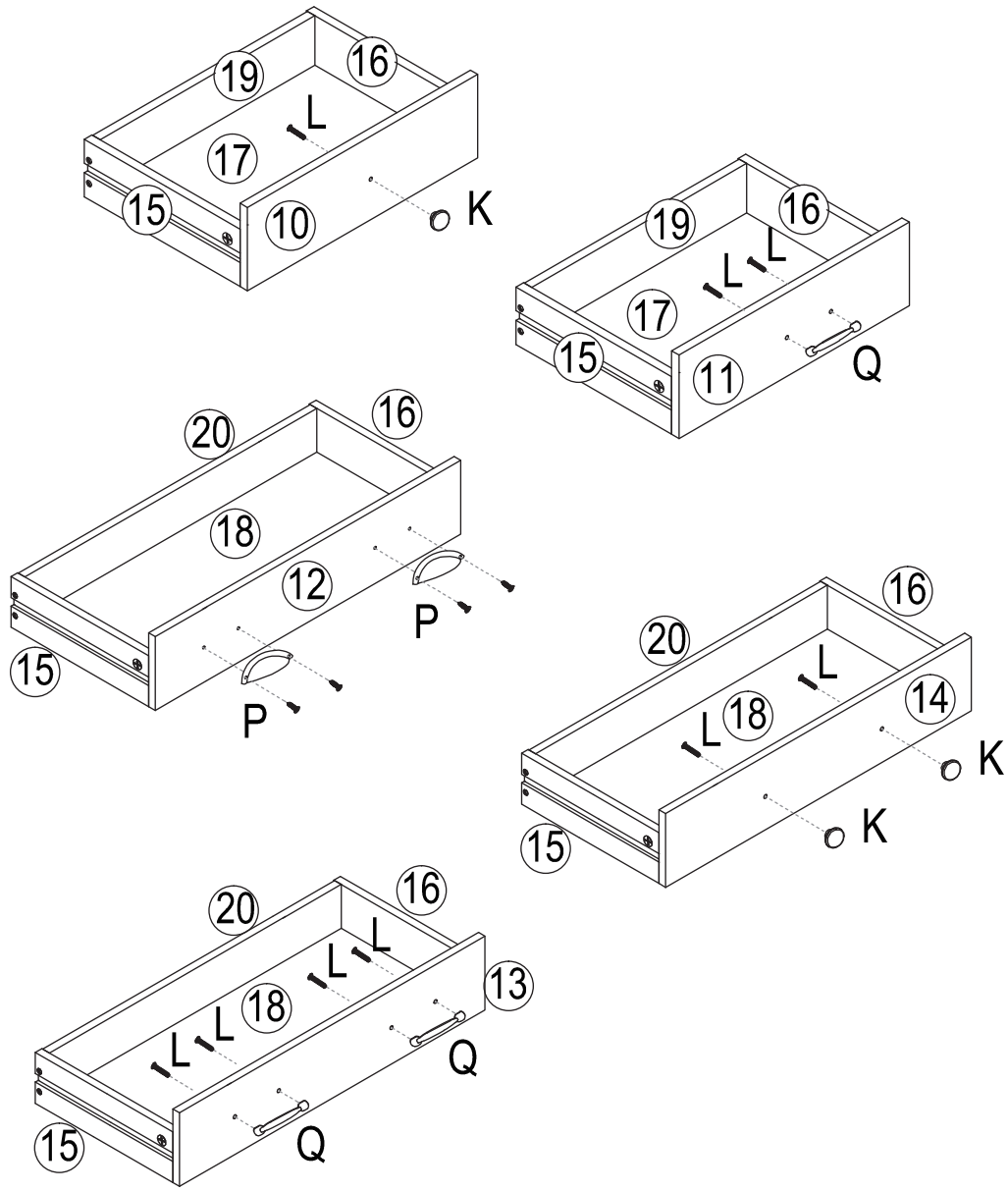
# 12



# x3

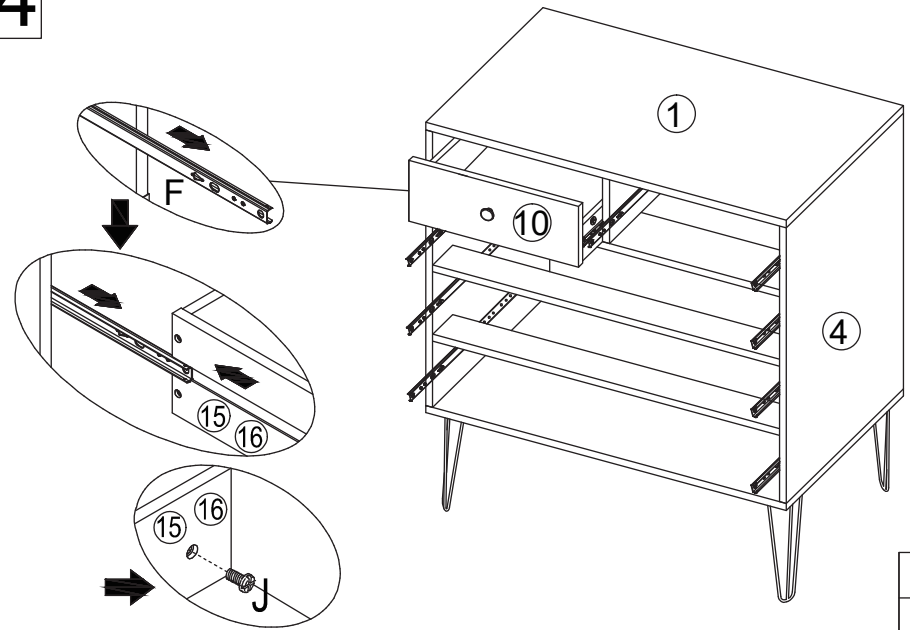
A	x9	M	x9	C	x6	D	x15
							4x40mm

# 13



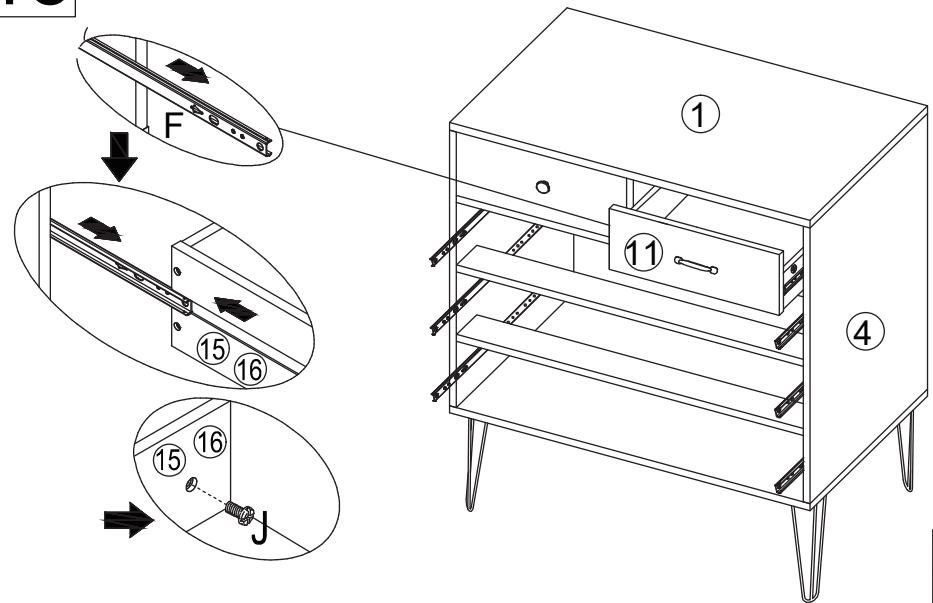
P	x2	Q	x3	K	x3	L	x9

# 14



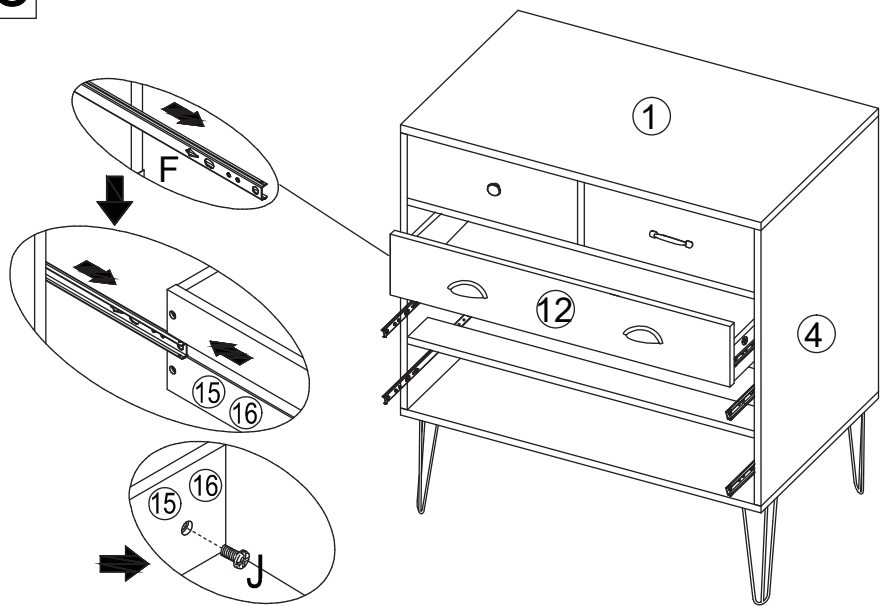
J	x2


# 15



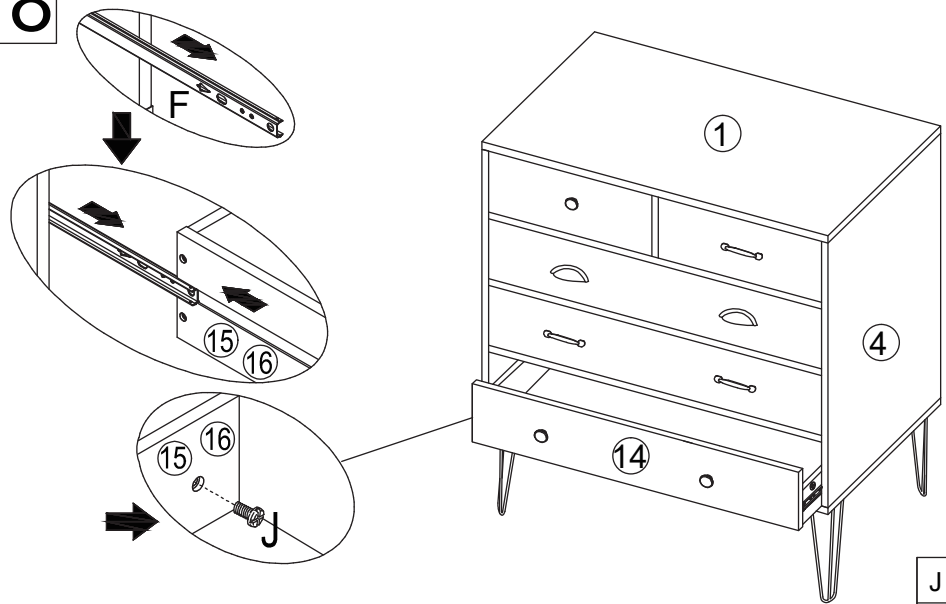
J	x2


16



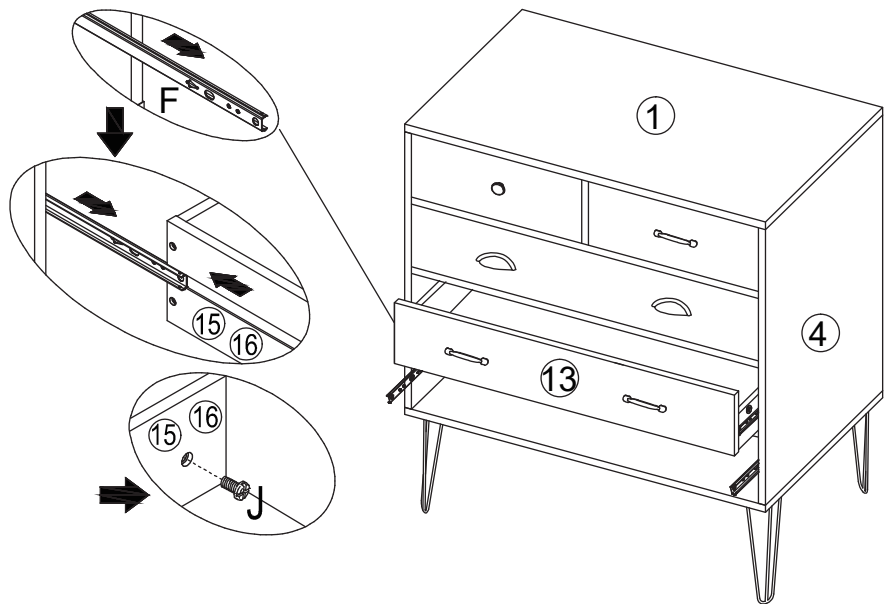
J	x2
	


18



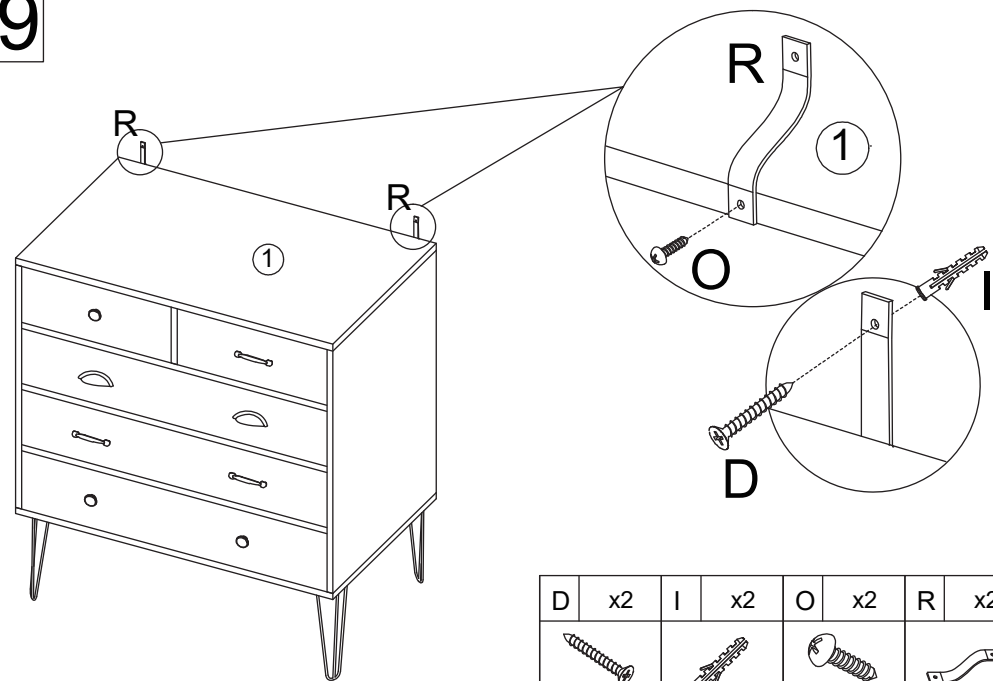
J	x2
	




17



J	x2
	

19



D	x2	I	x2	O	x2	R	x2
 4x40mm				 4x14mm		