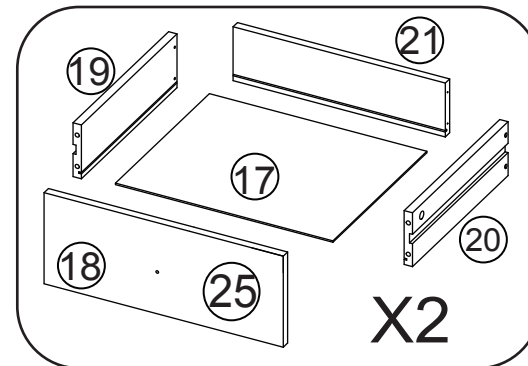
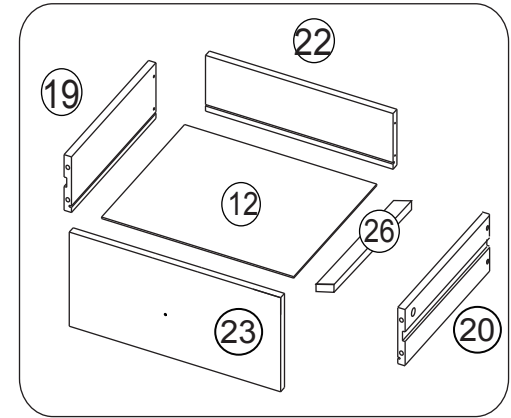
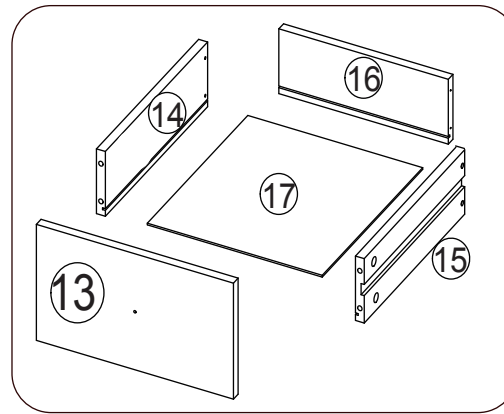
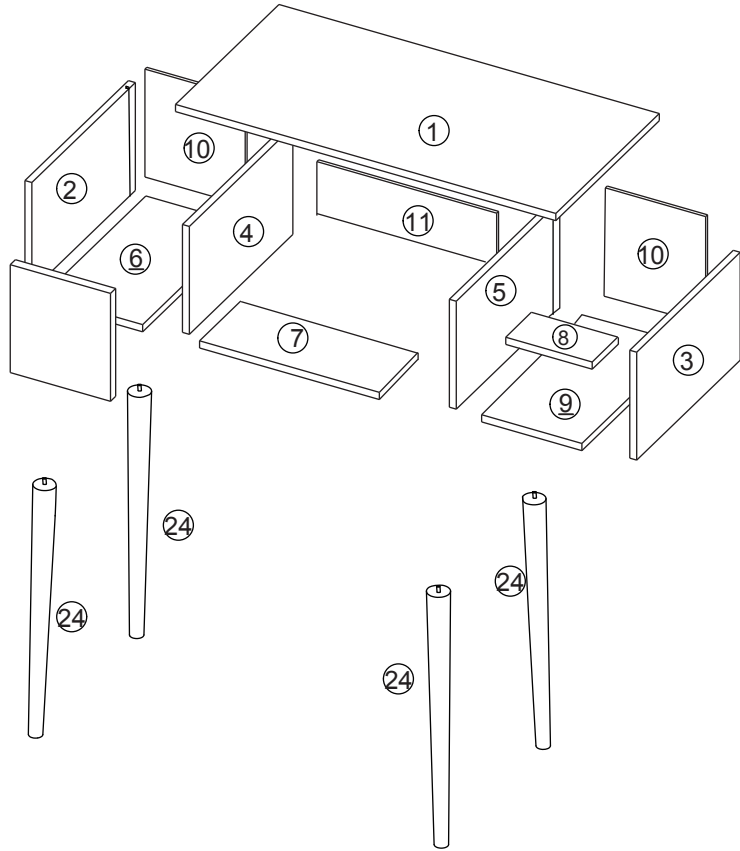
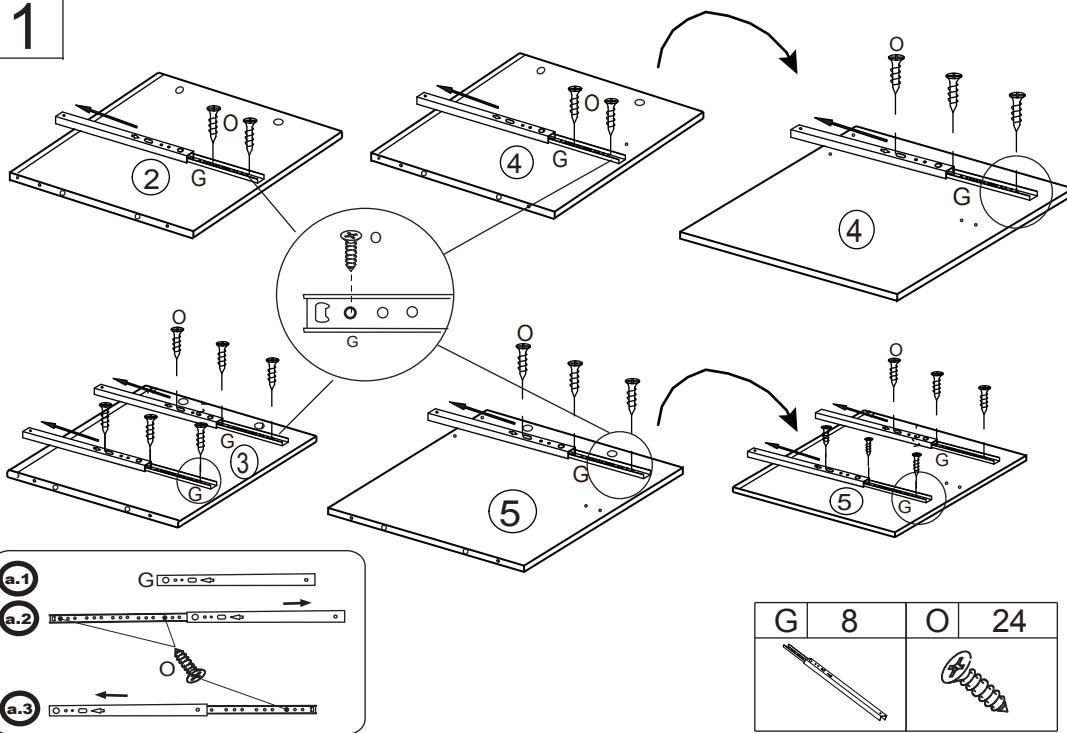


A		19	B		8	C		11	D		30
E		1	F		4	G		8	H		32
I		21	J		8	K		4	L		3
M		1	N		2	O		24	P		3
Q		1									

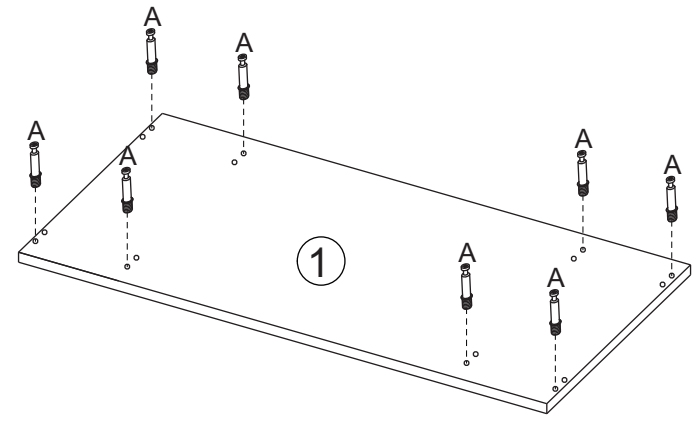


1



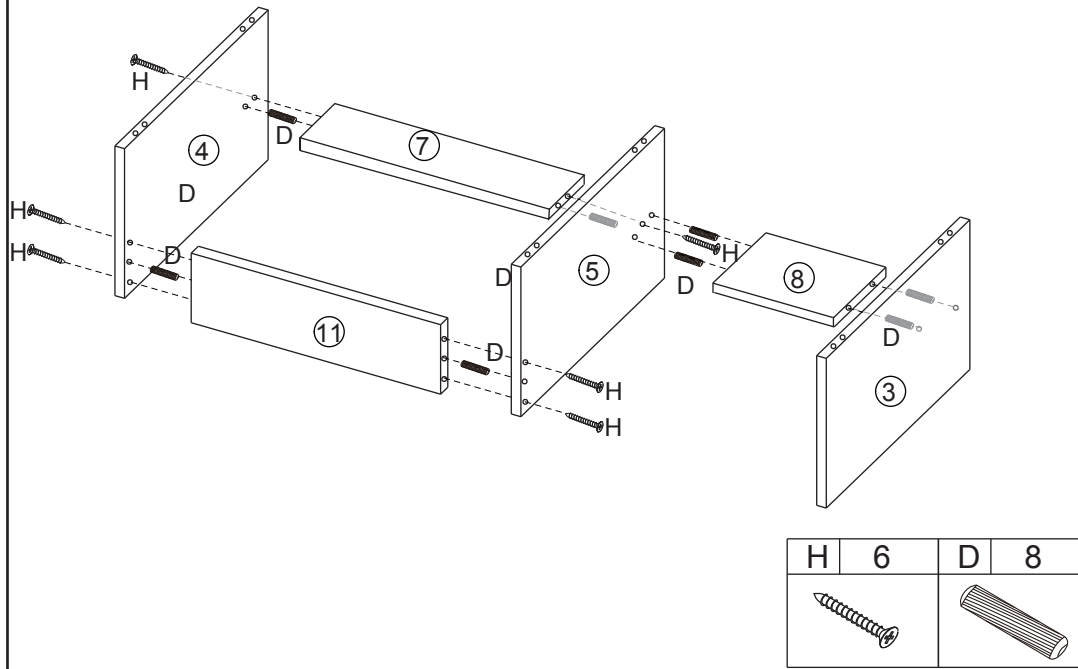
G	8	O	24

3



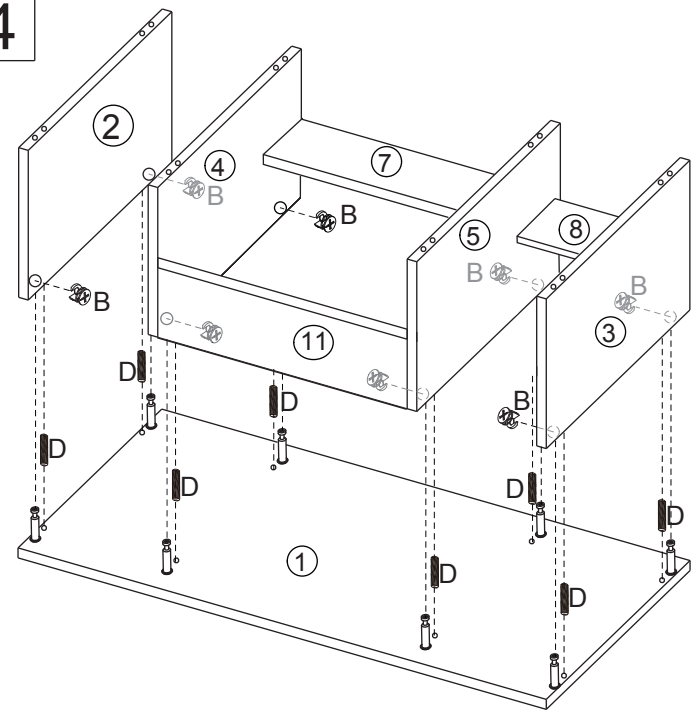
A	8

2

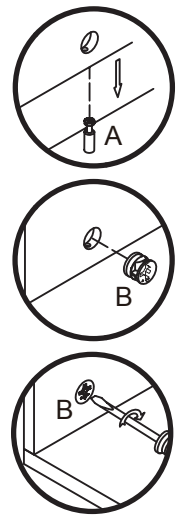


H	6	D	8

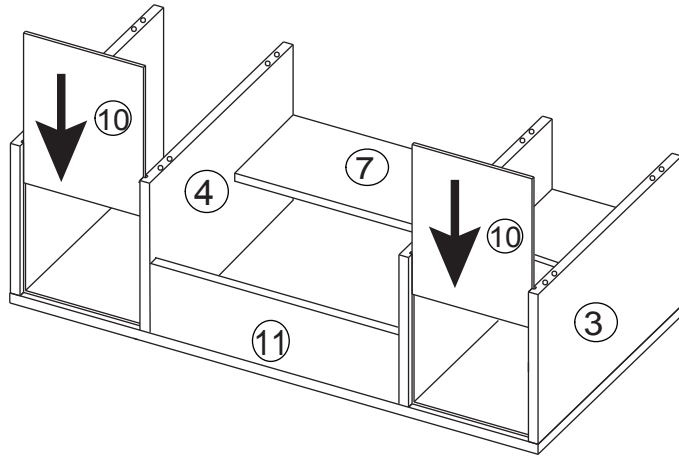
4



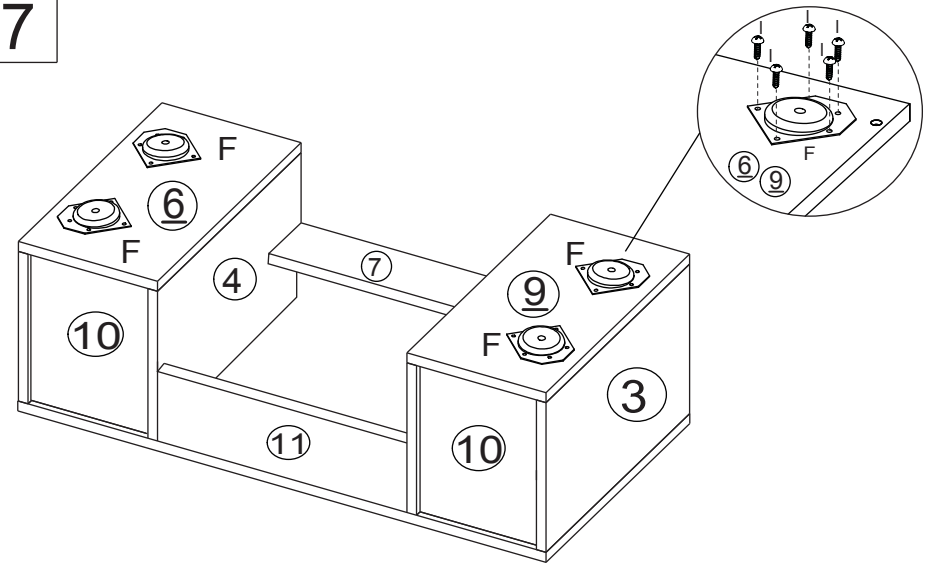
B	8	D	8



5

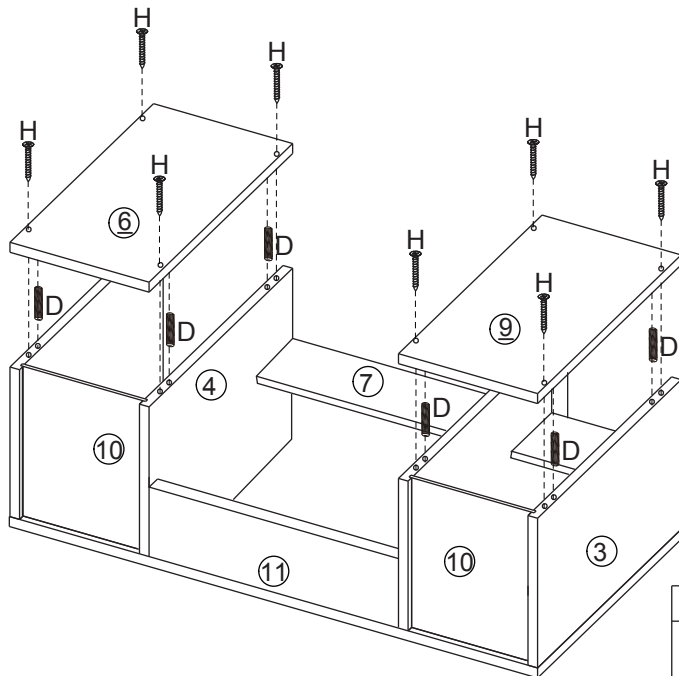


7



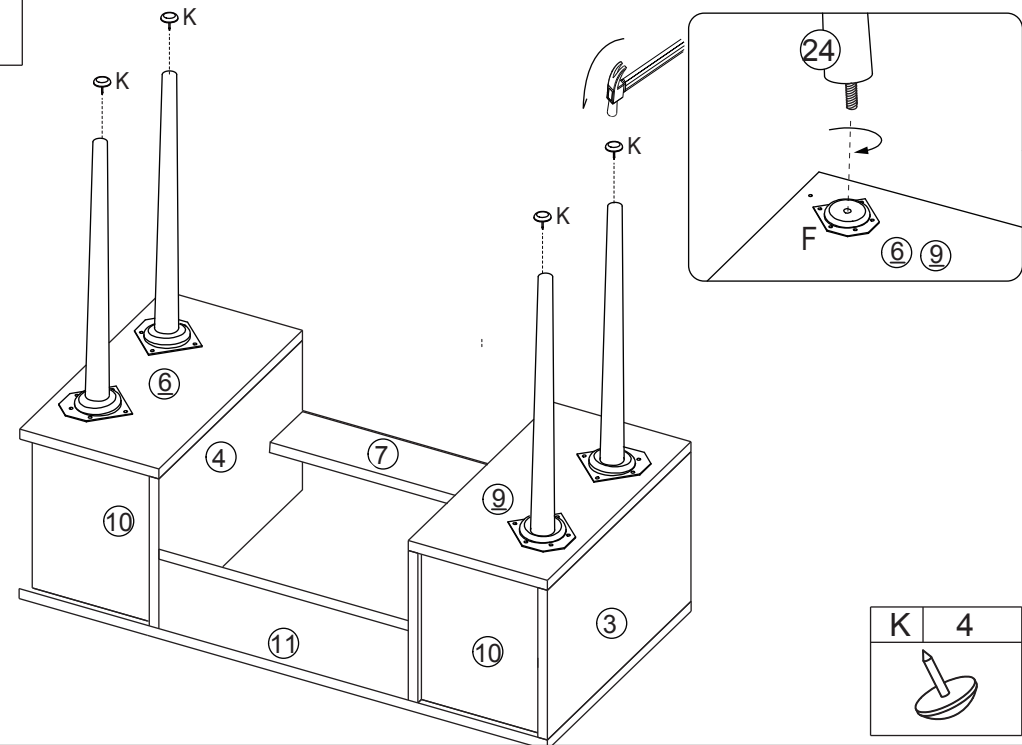
I	20	F	4

6



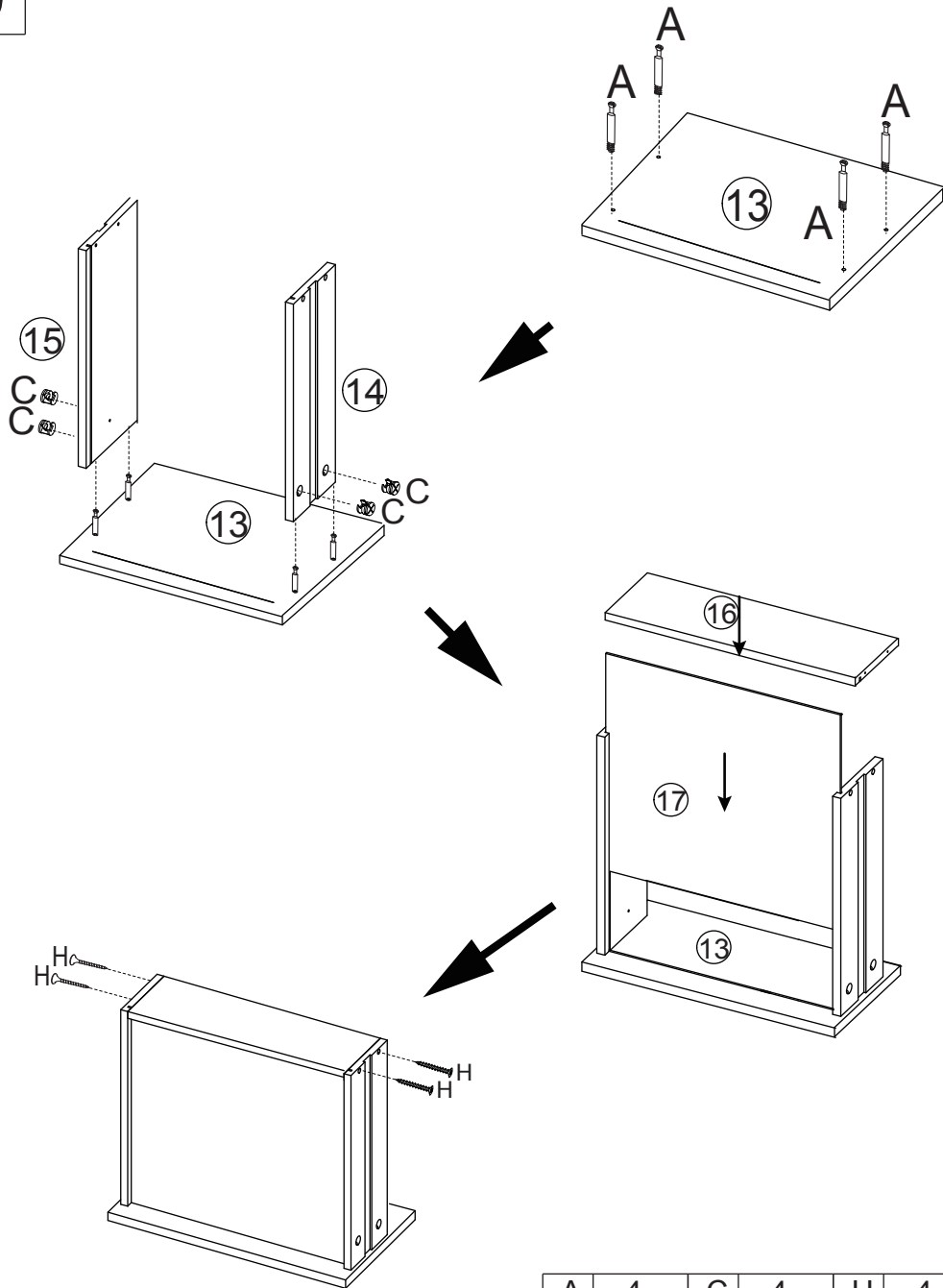
H	8	D	8




8



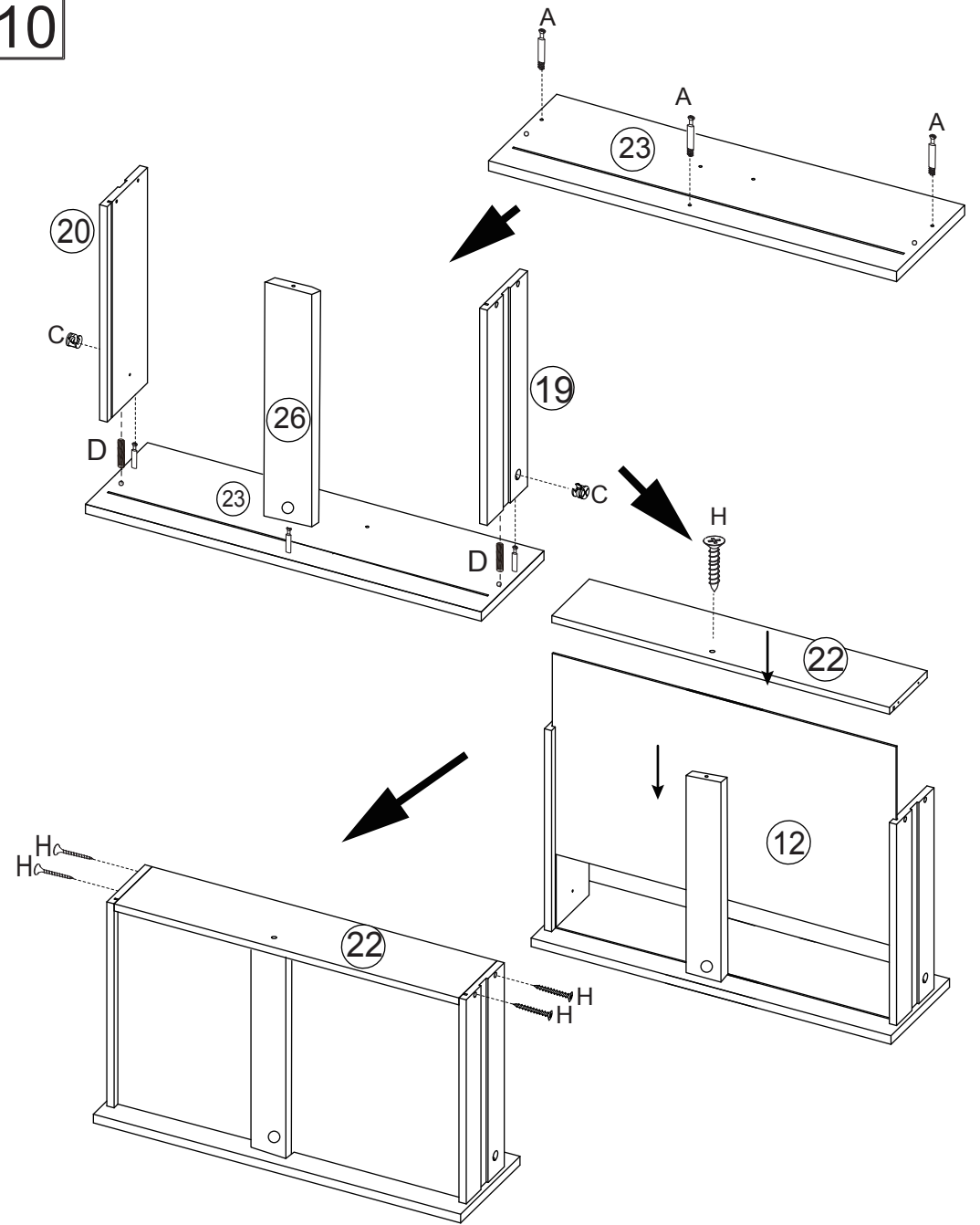
K	4




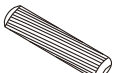
9



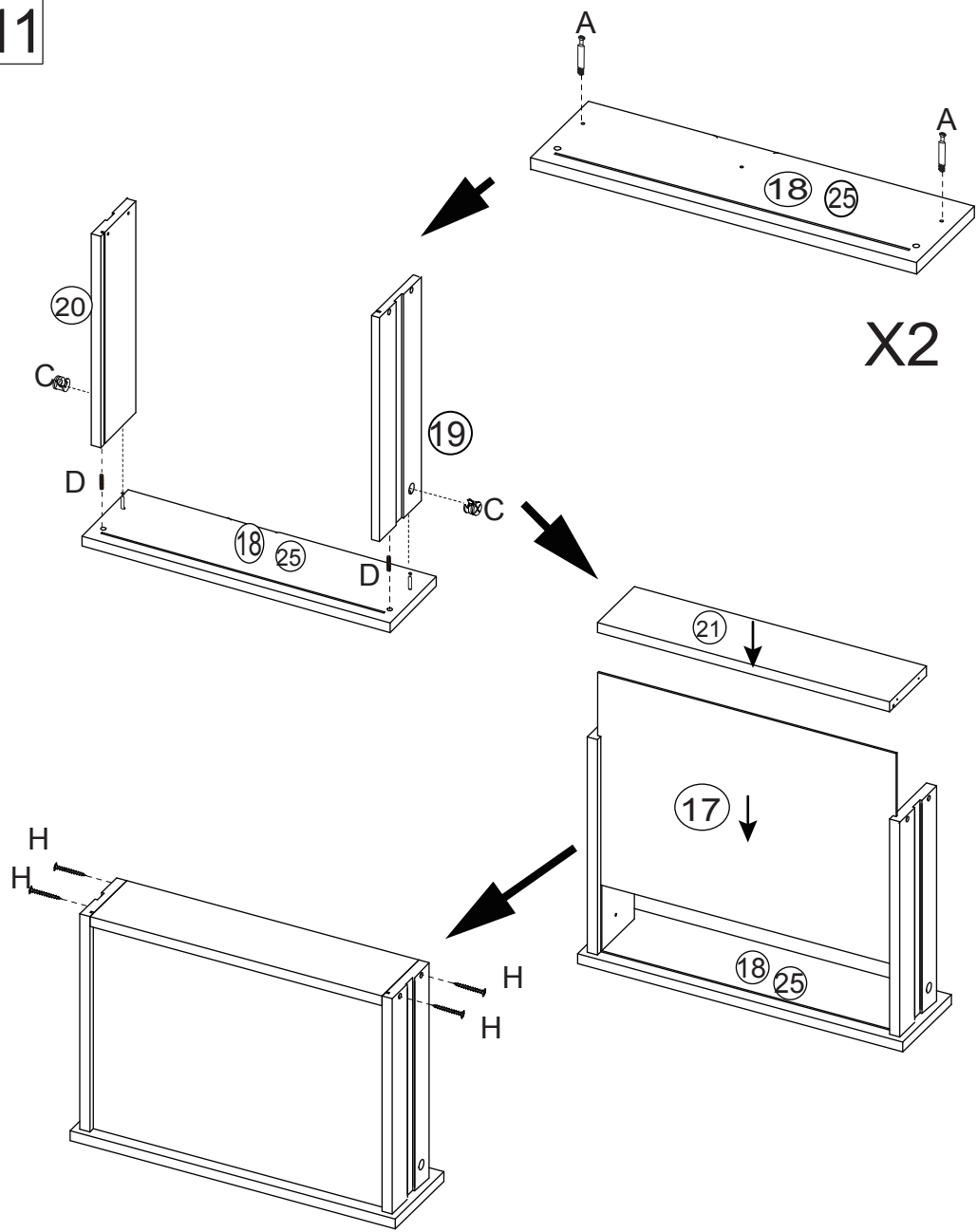
A	4	C	4	H	4
					




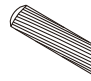
10



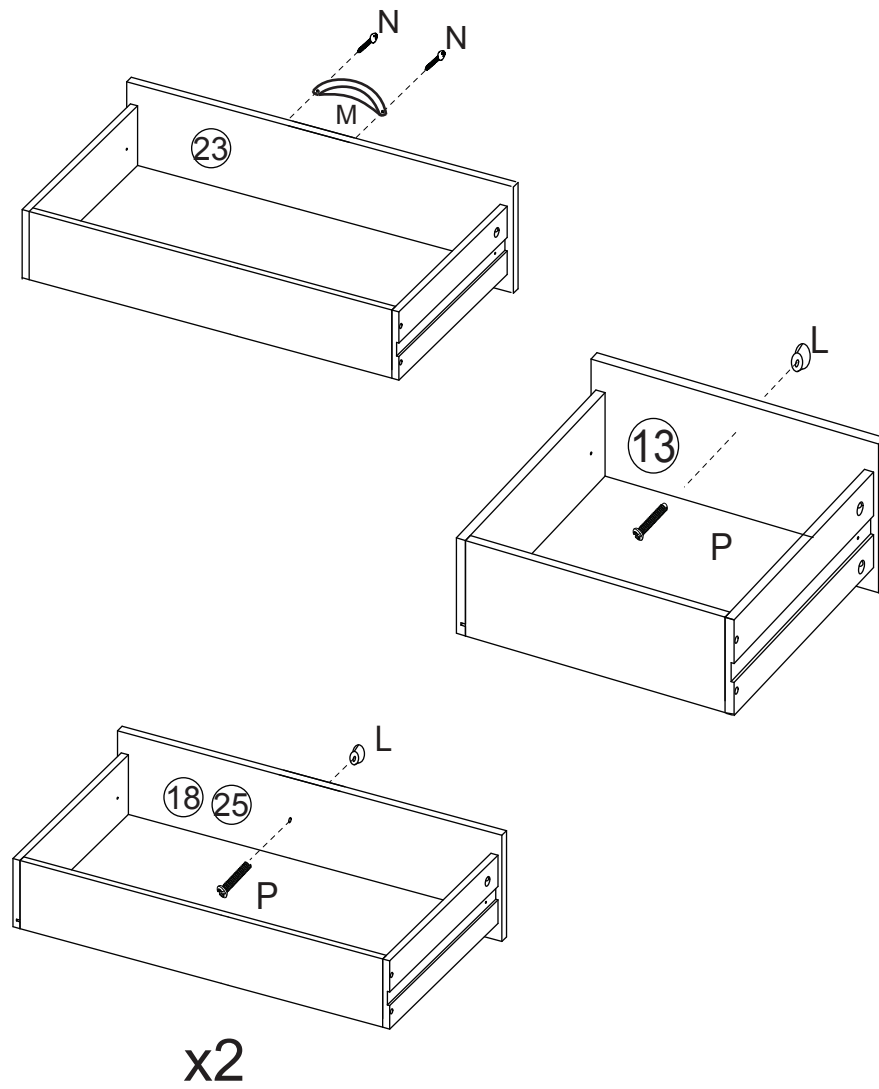
A	3	C	3	H	5	D	2
							





11



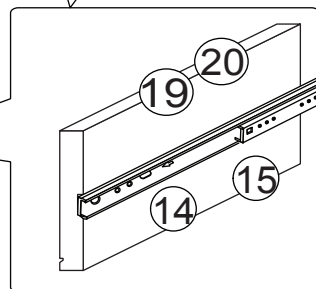
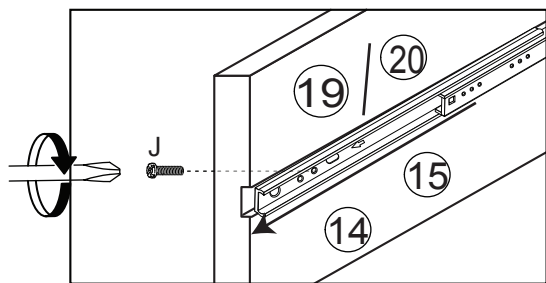
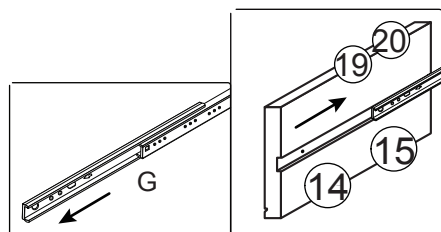
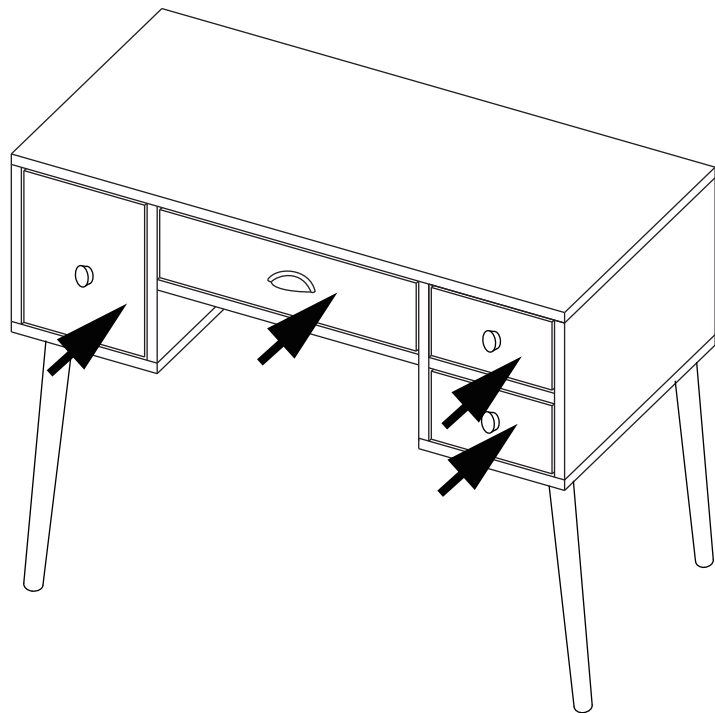
A	4	C	4	H	8	D	4
							

12



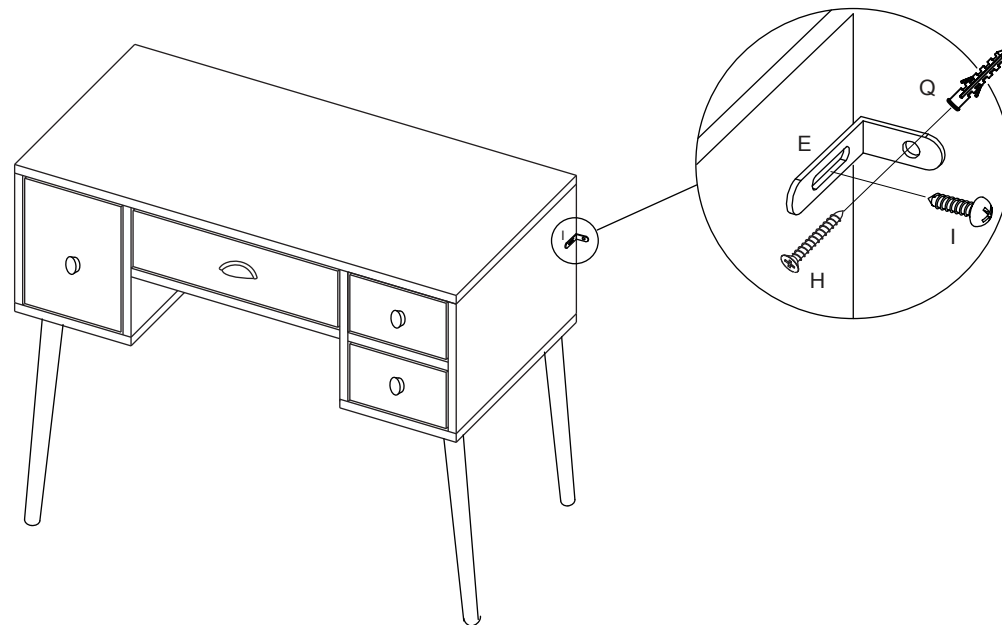
L	3	P	3	M	1	N	2
							

13



J	8

14



Hx1	Ix1	Ex1	Qx1