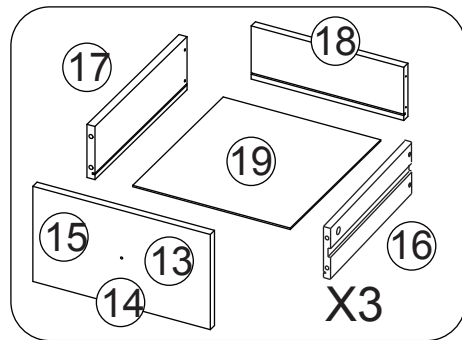
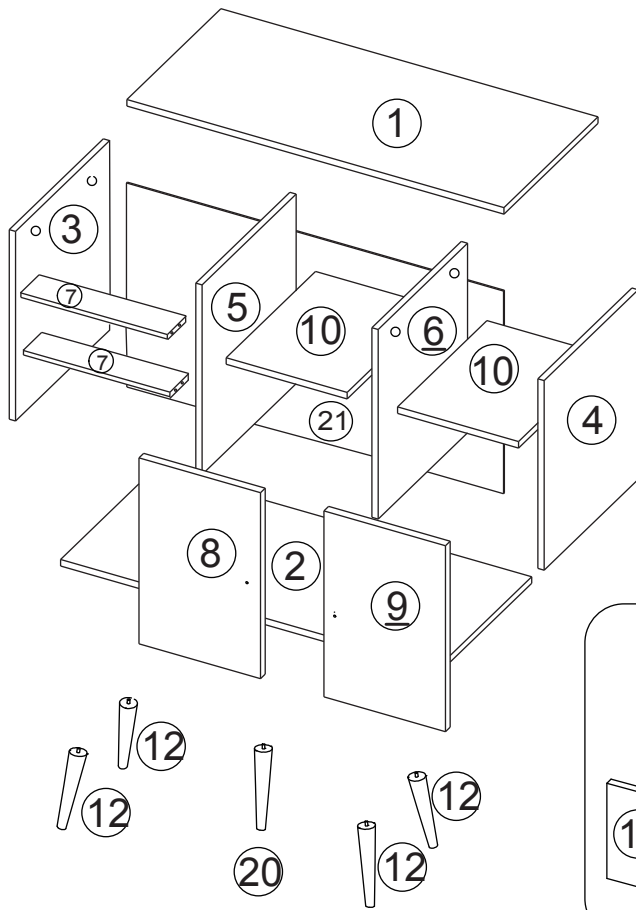
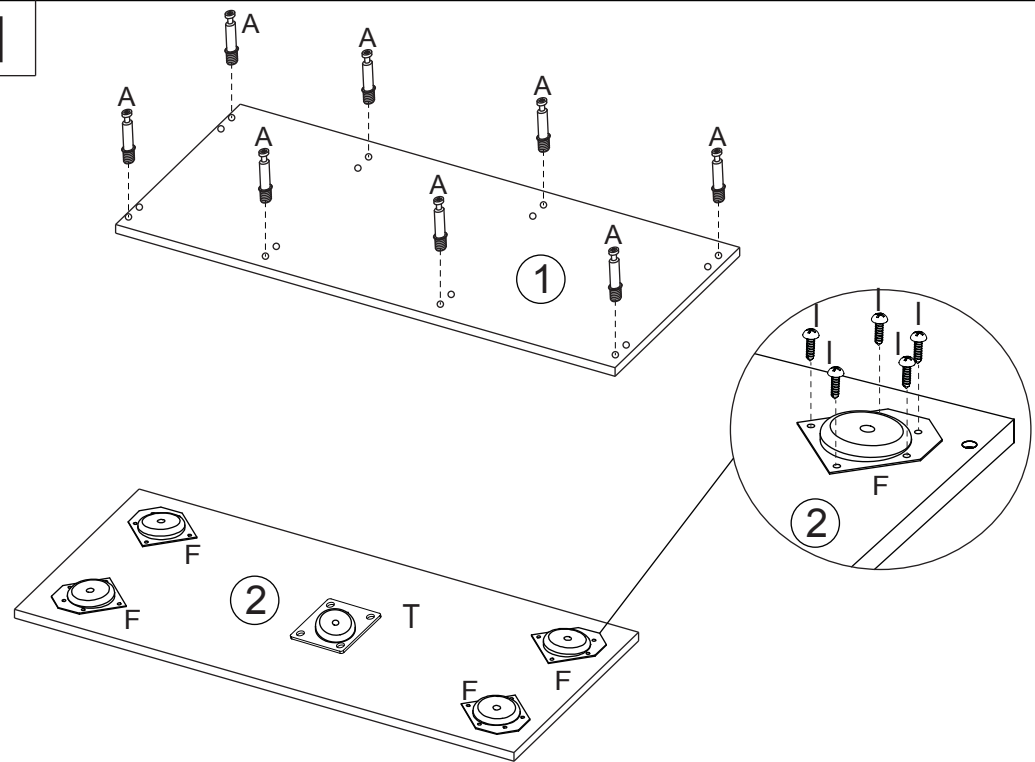


A		14	B		8	C		6	D		30
E		20	F		4	G		6	H		21
I		25	J		6	K		4	L		1
M		1	N		2	O		18	P		5
Q		3	R		4	S		16	T		1
U		8	V		1	W		1	X		1

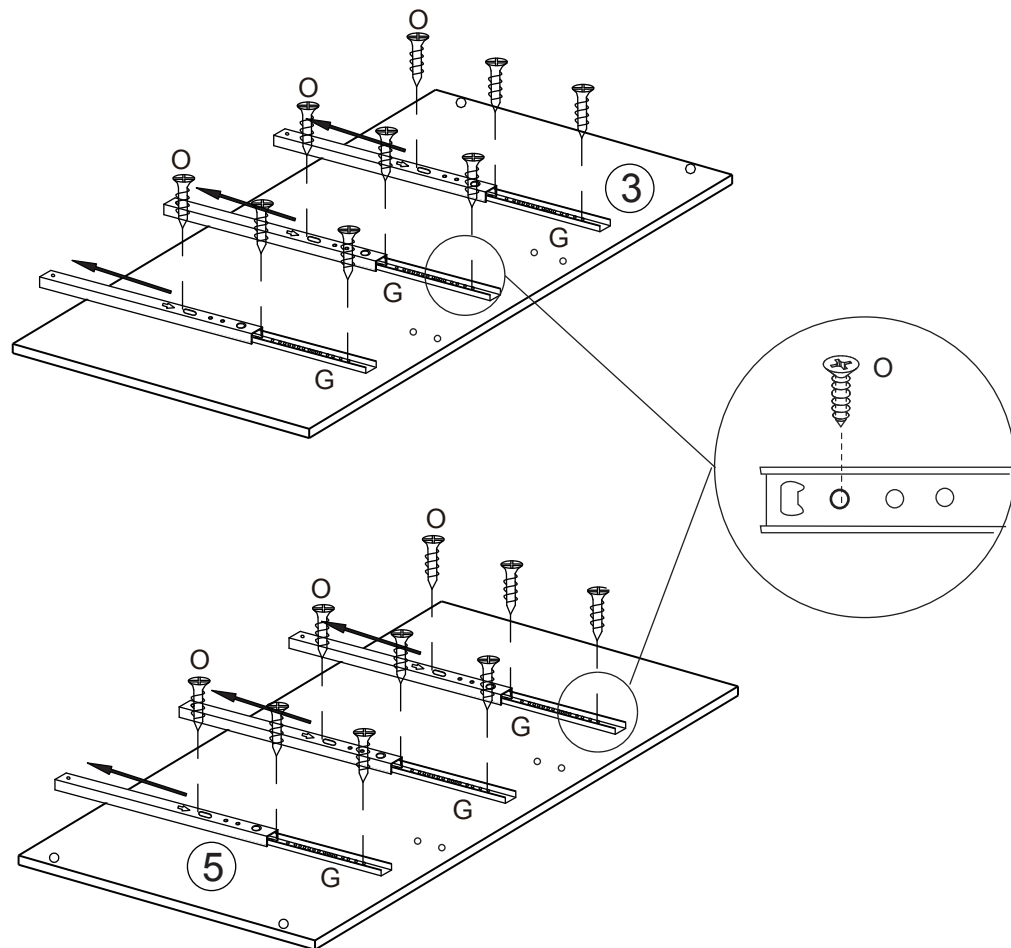


1

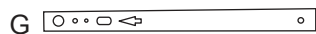


I	24	F	4	A	8	T	1

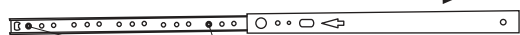
2



a.1





a.2

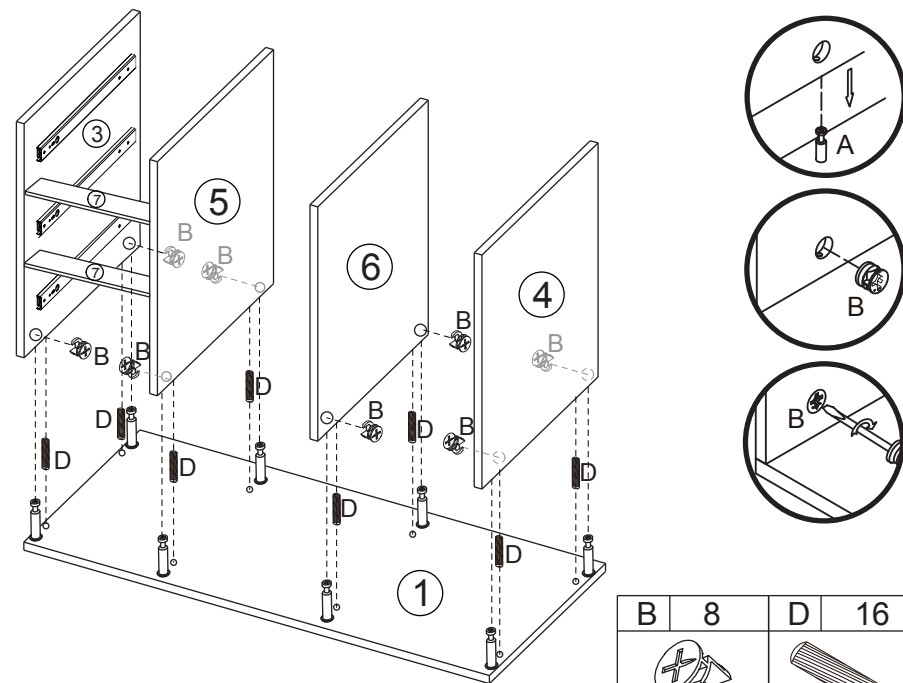



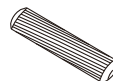
a.3



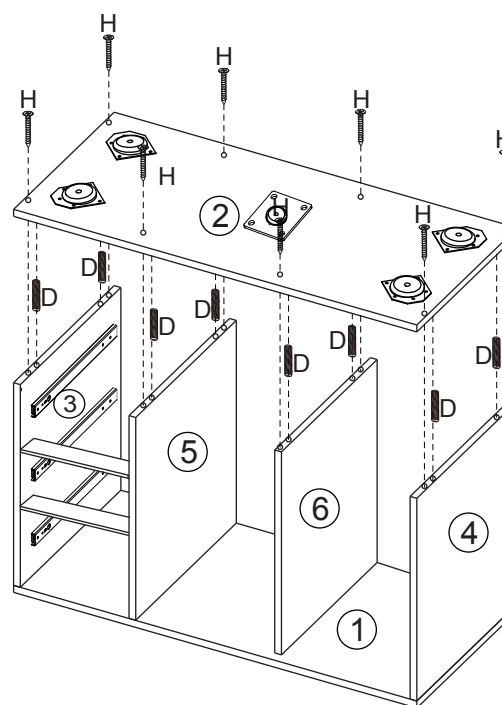
G	6	O	18
			


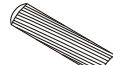
3



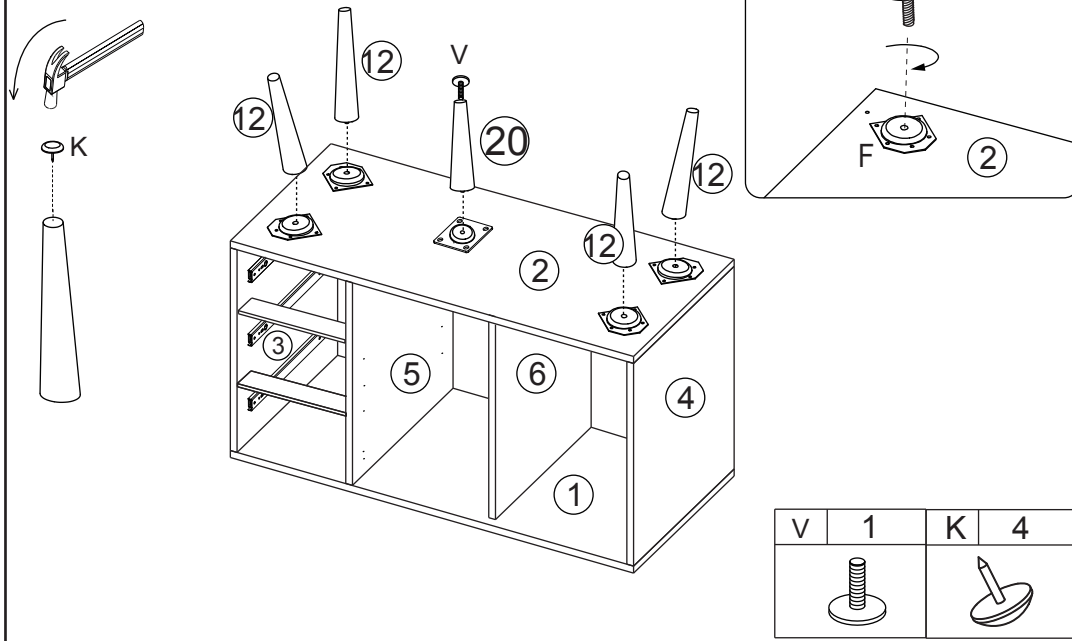
B	8	D	16
			

4

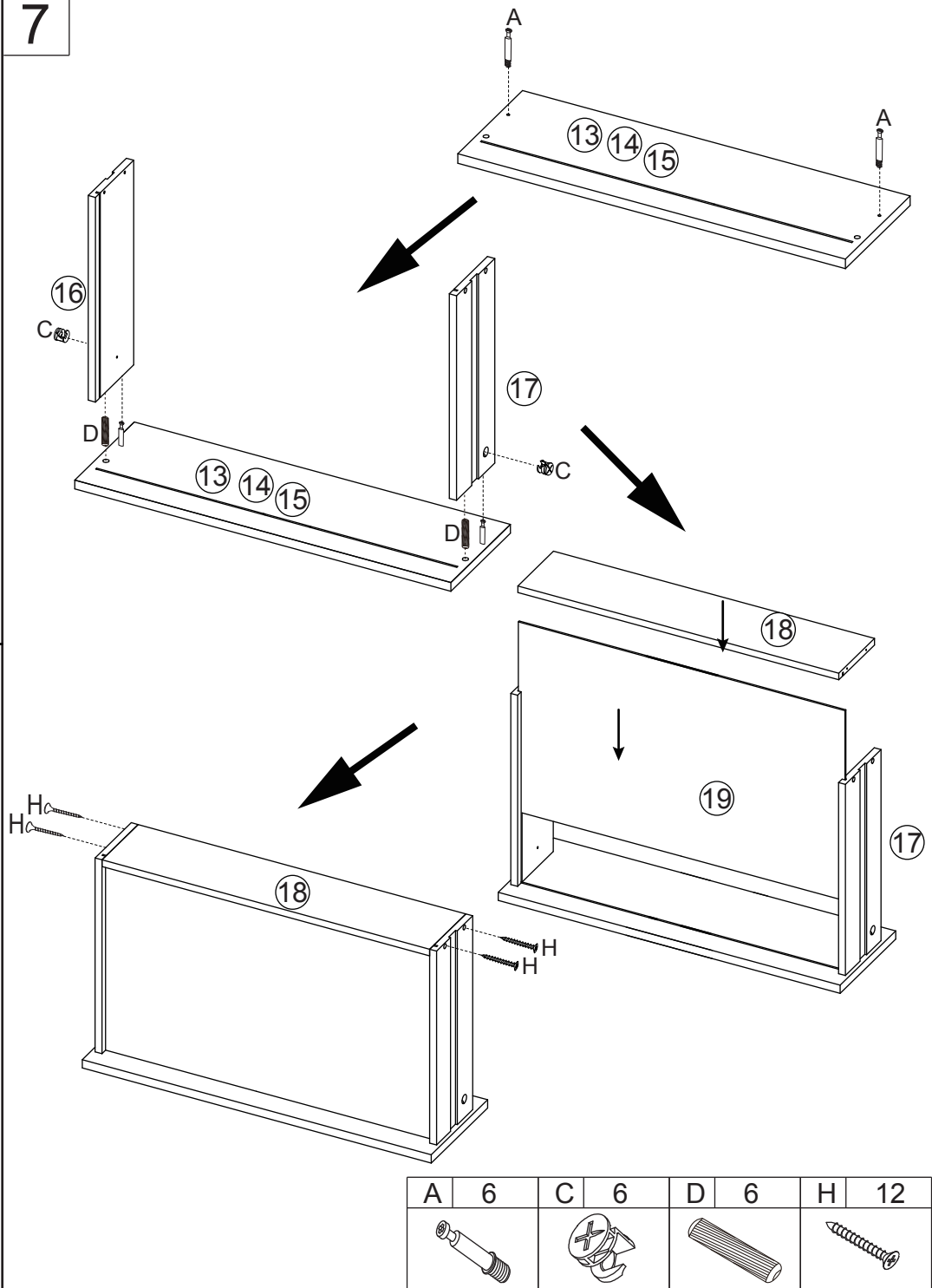


H	8	D	8
			

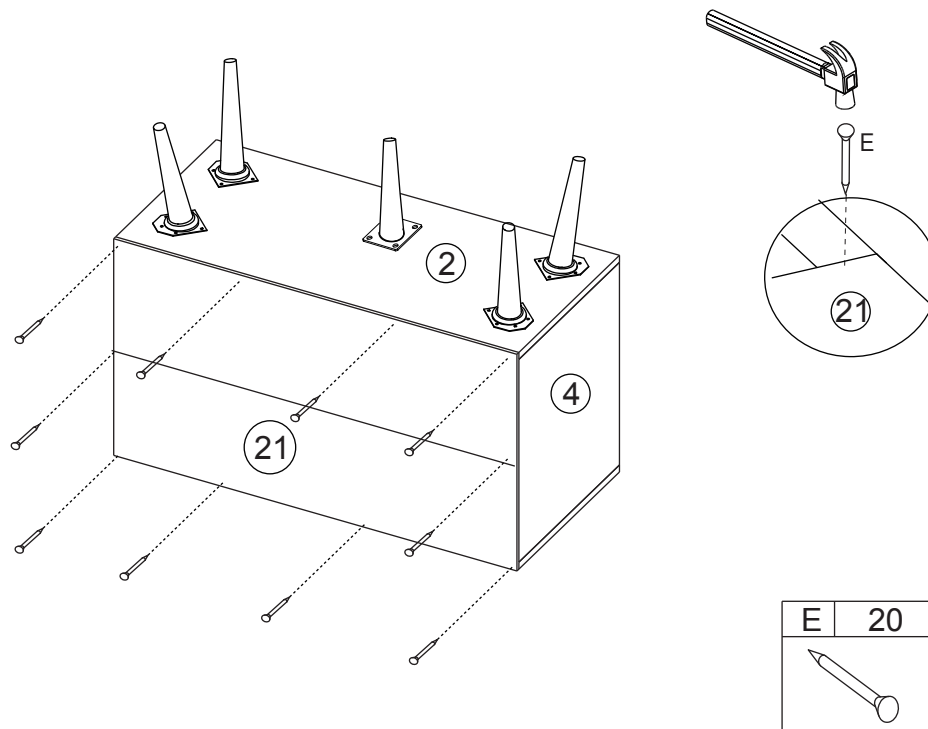
5



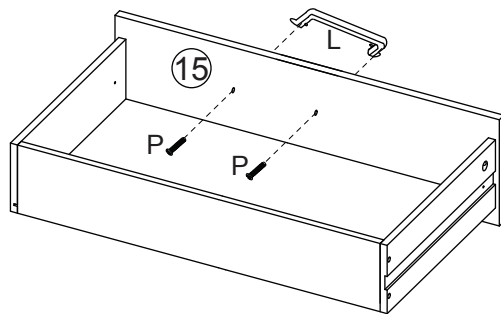
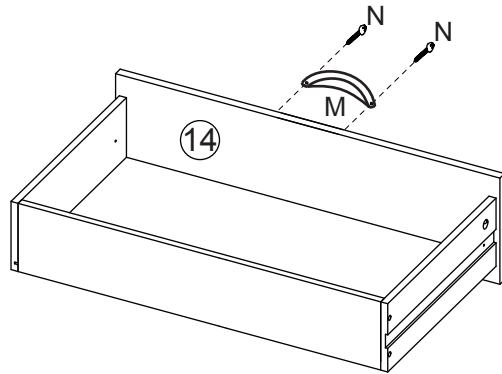
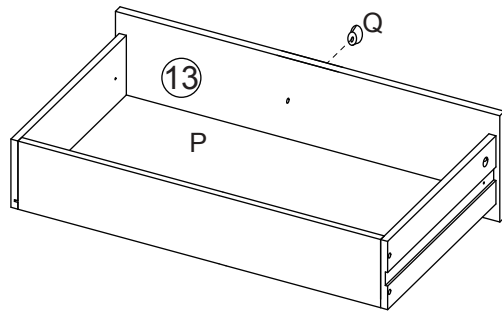
7



6

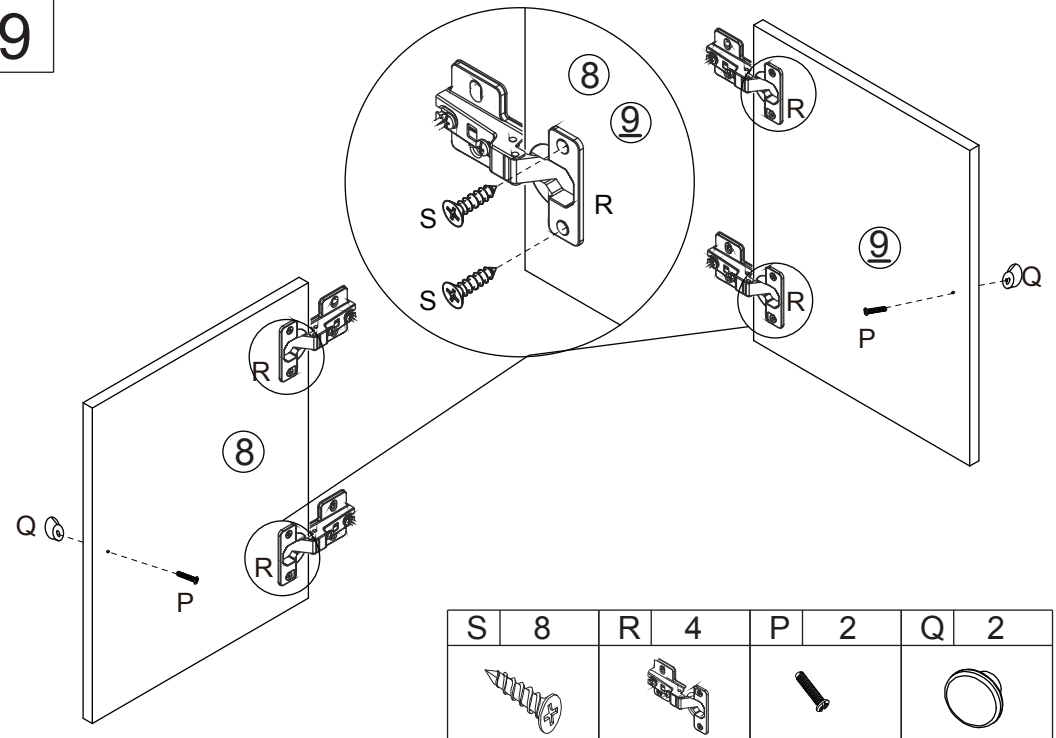


8



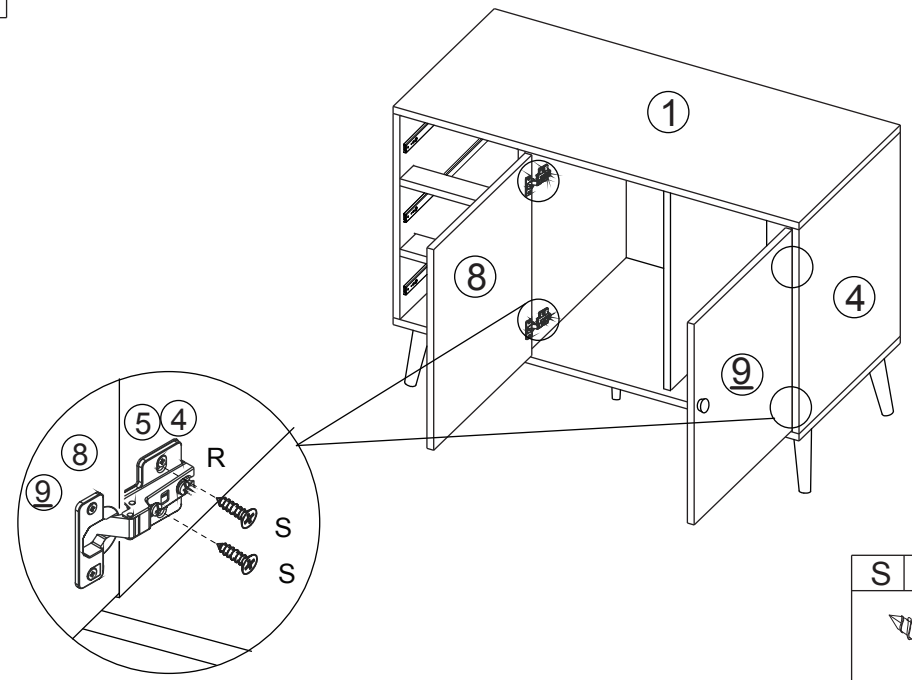
Q	1	M	1	N	2	L	1	P	3

9



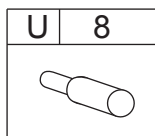
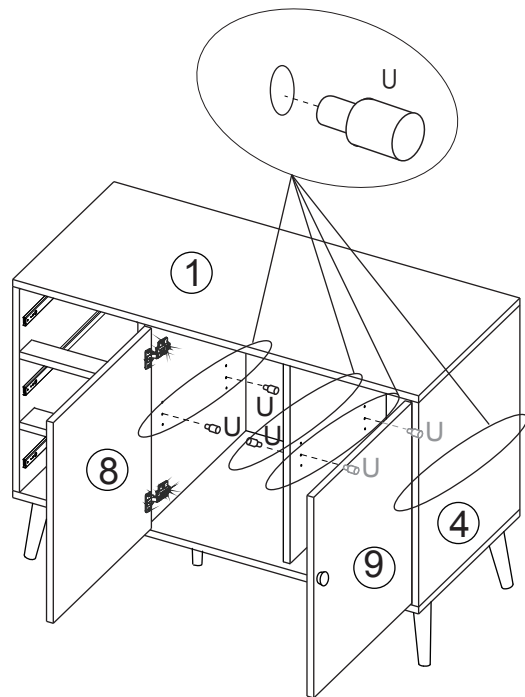
S	8	R	4	P	2	Q	2

10

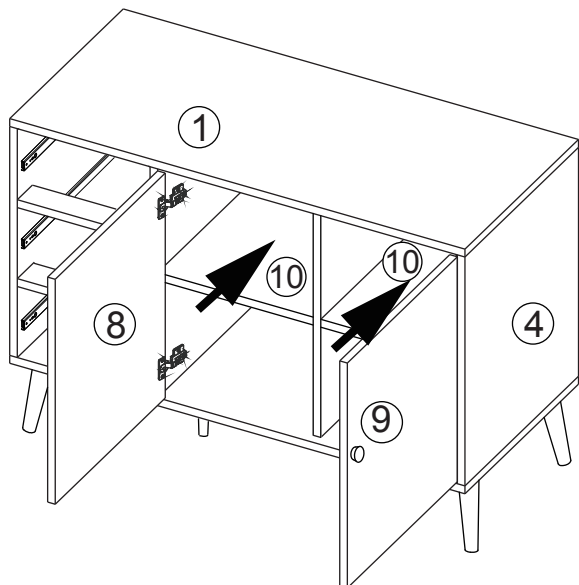


S	8

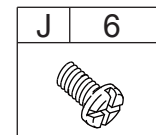
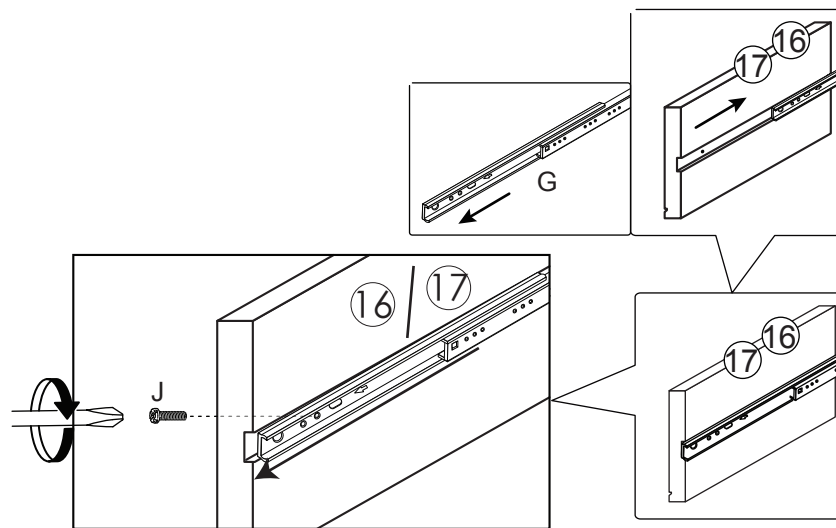
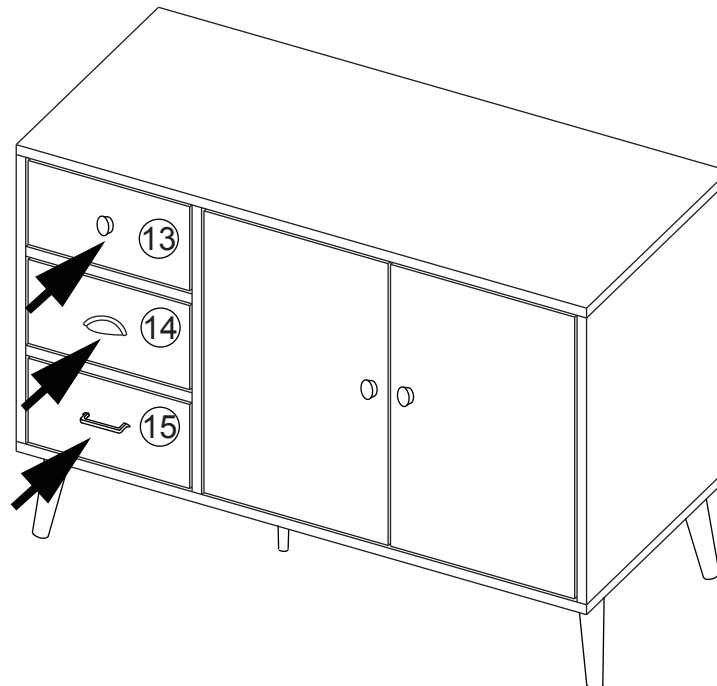
11

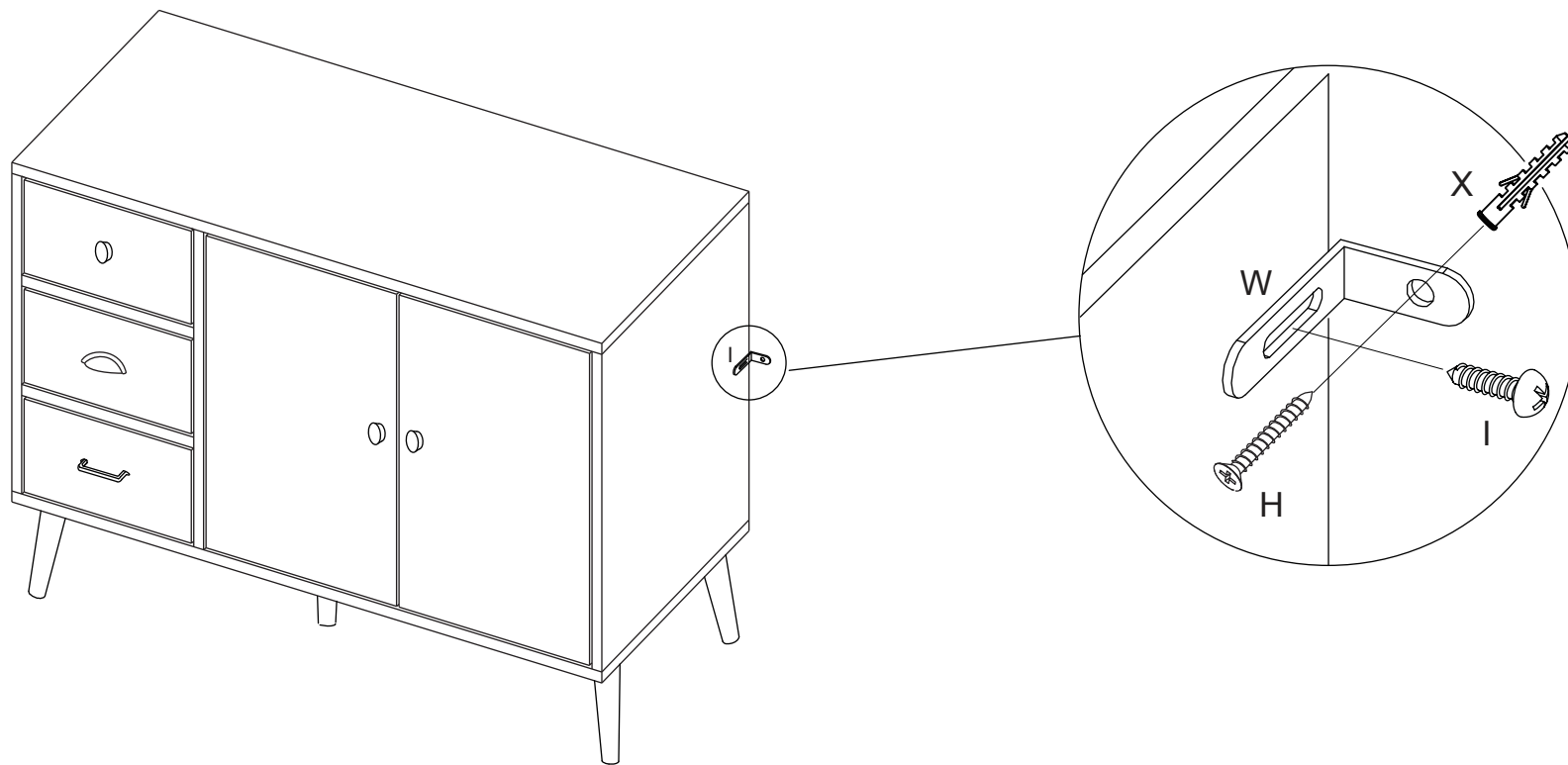


12



13





W	1	X	1	H	1	I	1
